



SINGATRON
ENTERPRISE CO., LTD.



Specialized Connector Manufacturer

Secure DC Jack

Leading Edge Products



- The best design for safety:

Using d'Alembert inertial force to prevent the improper use by end user.

- Compact size

- The best insertion feel

During inserting, there is only one directional peak resistance force .

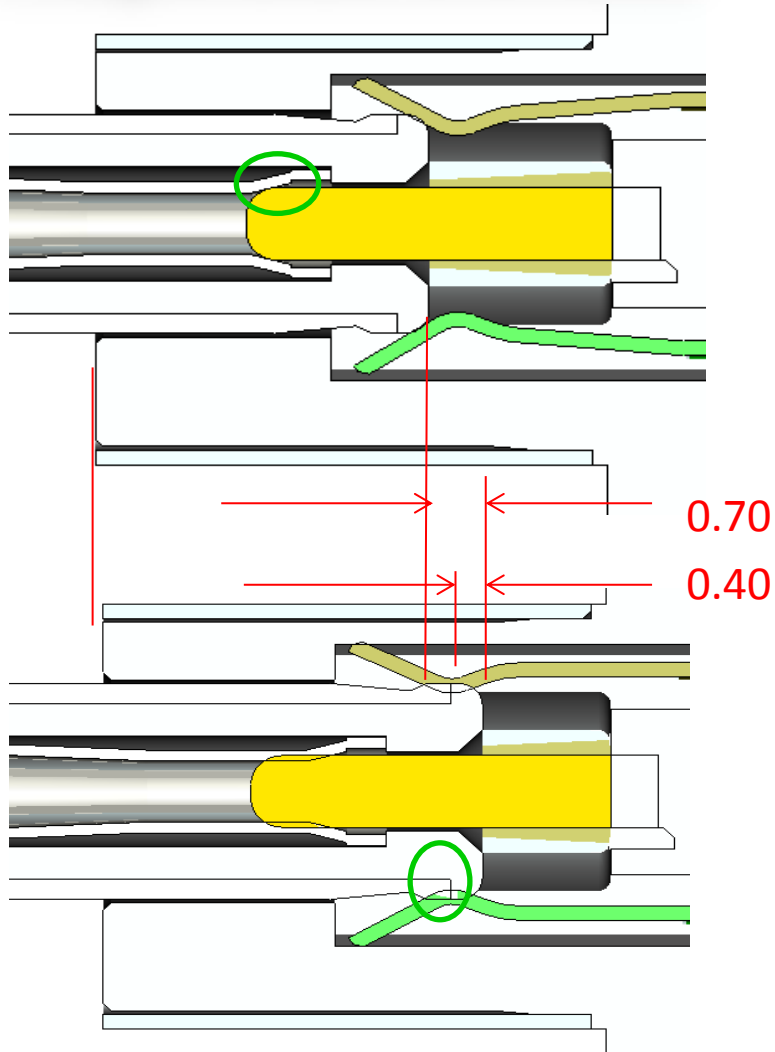
- The eclectic contact order :

either Power - → · Power+ → · Signal

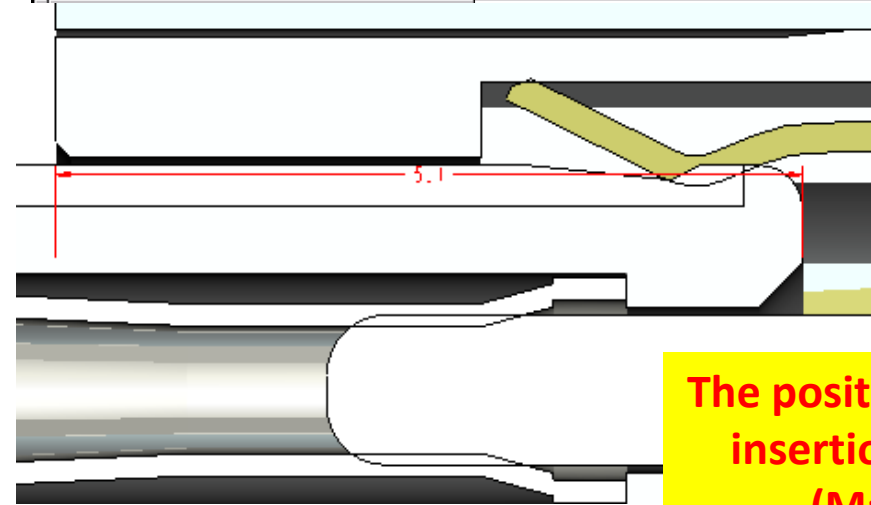
or Power - → · Power+ → · Power -

- Withstand high voltage rating maintain low temperature rising

Plug Inside the Jack

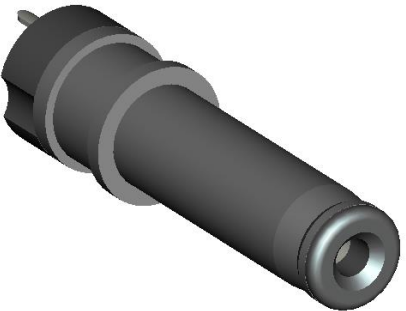
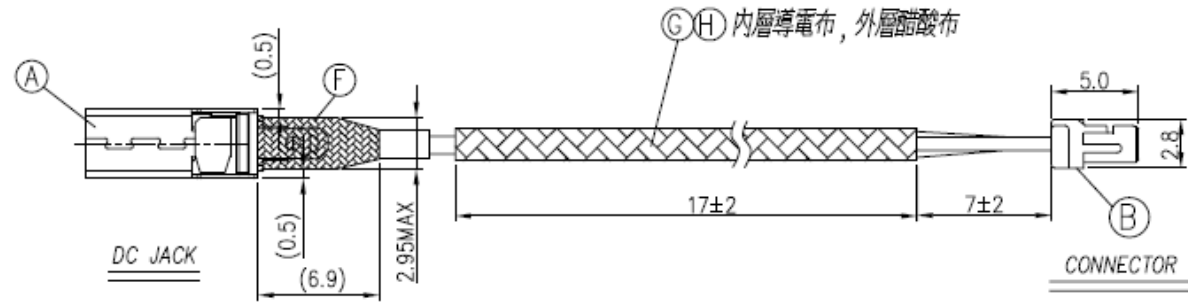
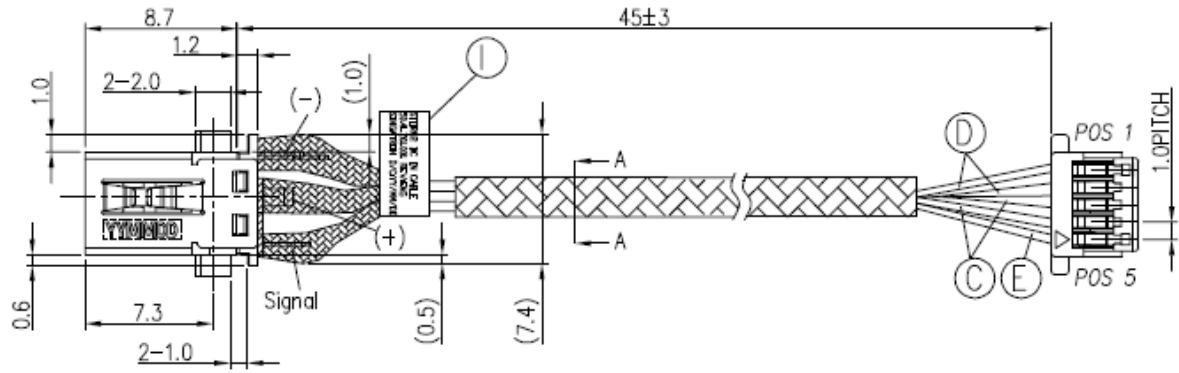
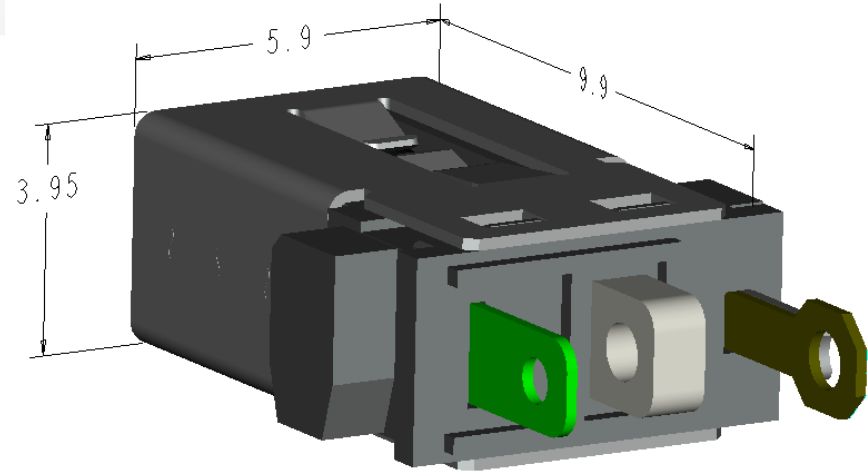
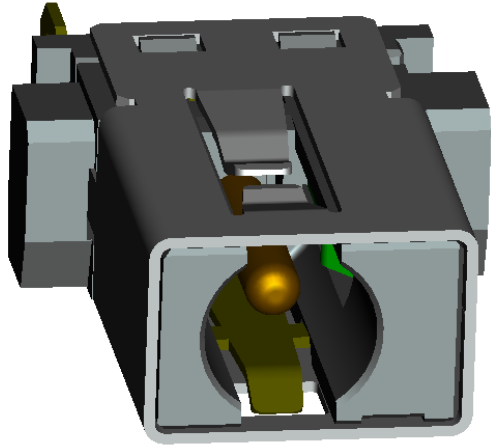


The distance between contact (+) and signal pin is around 0.7mm.



The position of the insertion force (Max.)

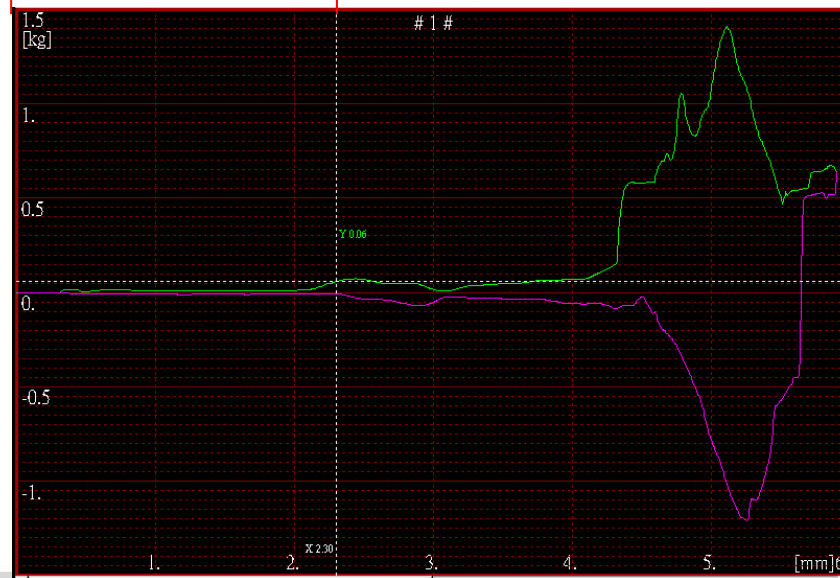
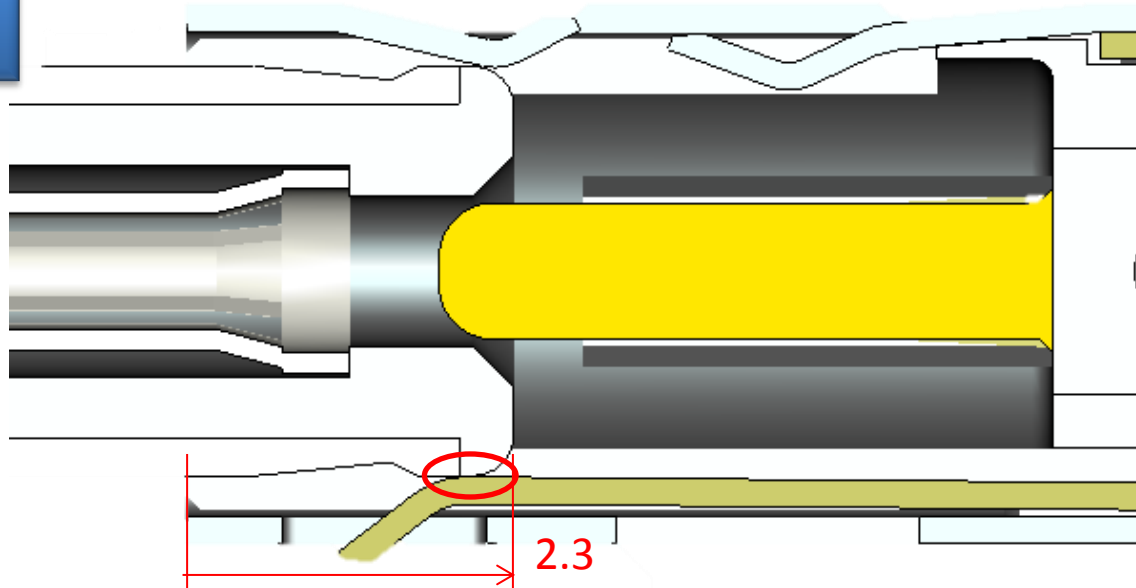
Mating with OD 3.0 Plug



Plug OD: 3.0
ID: 1.1

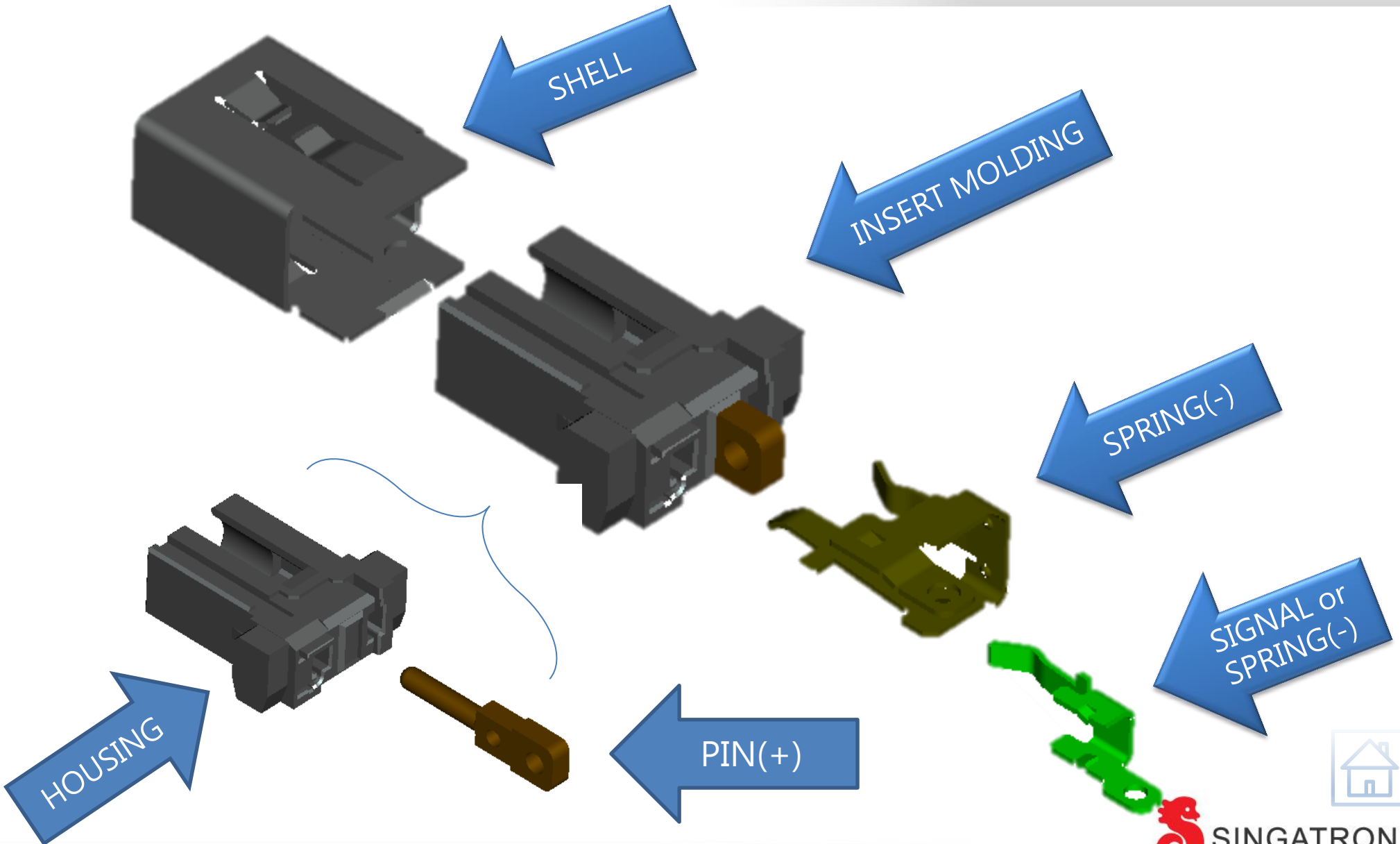
Plug Inside the Jack

Power (-)
contact



The best insertion feel
Minor interference force.
There is no obvious
resistance when inserting
the plug.

BOM



Loading Test Report



Test condition

PLUG P/N

DC power supply set 19 DCV 4 A 76 W

DC power supply model GW PHS-6012

Electronic load model CHROMA 63030

Thermometer TECPEL DTM 319

Measure item		Initial	After 4 Hrs
Contact resistance	Plug to center pin (+)	4.7 m Ω	
	Plug to tip spring (-)	7.4 m Ω	
Insertion force		1.65 kgf	
Withdraw force		1.64 kgf	
Temp. rise	Static circuit loading		6.1 °C



The End

Thank You!