



SINGATRON
ENTERPRISE CO., LTD.



Specialized Connector Manufacturer

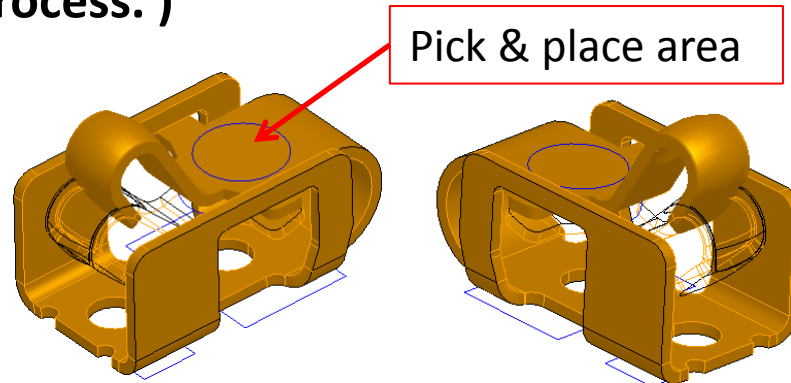
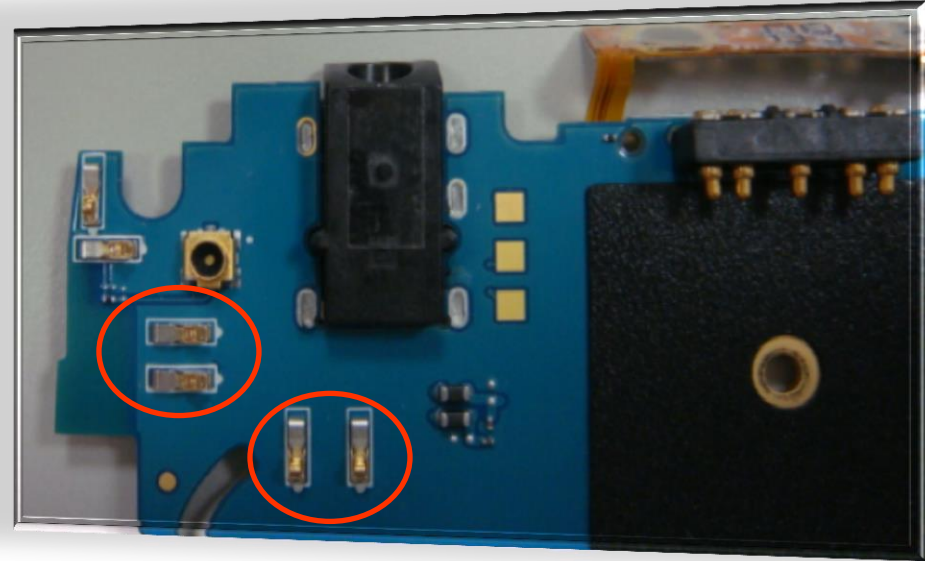
Universal Contact Series

2SC1006

Universal contact



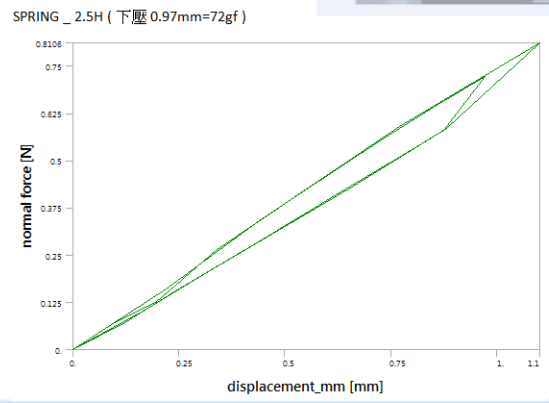
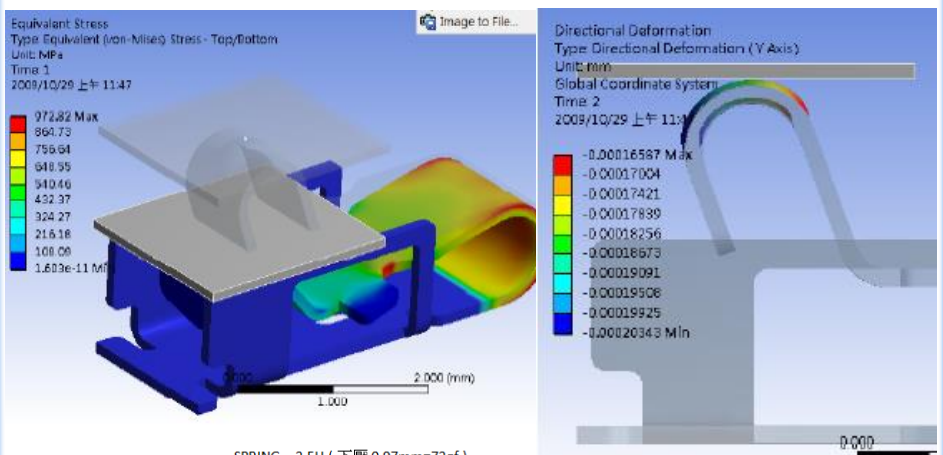
- Connection of internal smart phone system.
(antenna spring / speaker spring)
- Material : Ti- Cu (**Titanium Copper**)
- Normal force = 72 gf
- Avoiding terminal deformed structure.
- Suitable nozzle diameter: 1.10mm maximum (Bigger pick and place area can reduce the wastage by SMT process.)



Universal contact

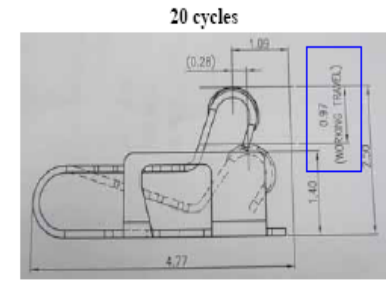


Analysis data :
Normal force =72gf
Deformation=0



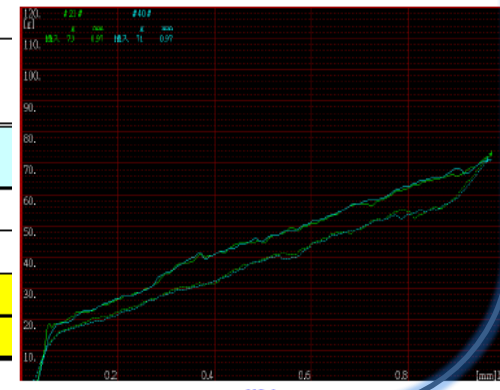
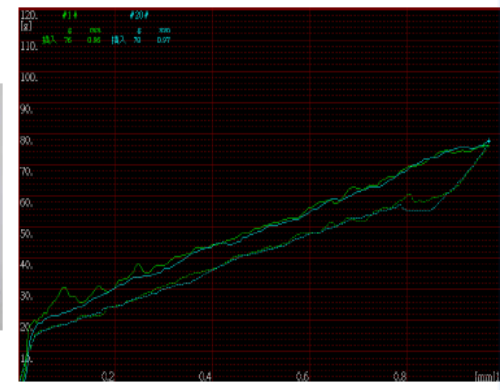
Actual data :
Normal force = 73~76gf
Deformation=0

Test data (gf)

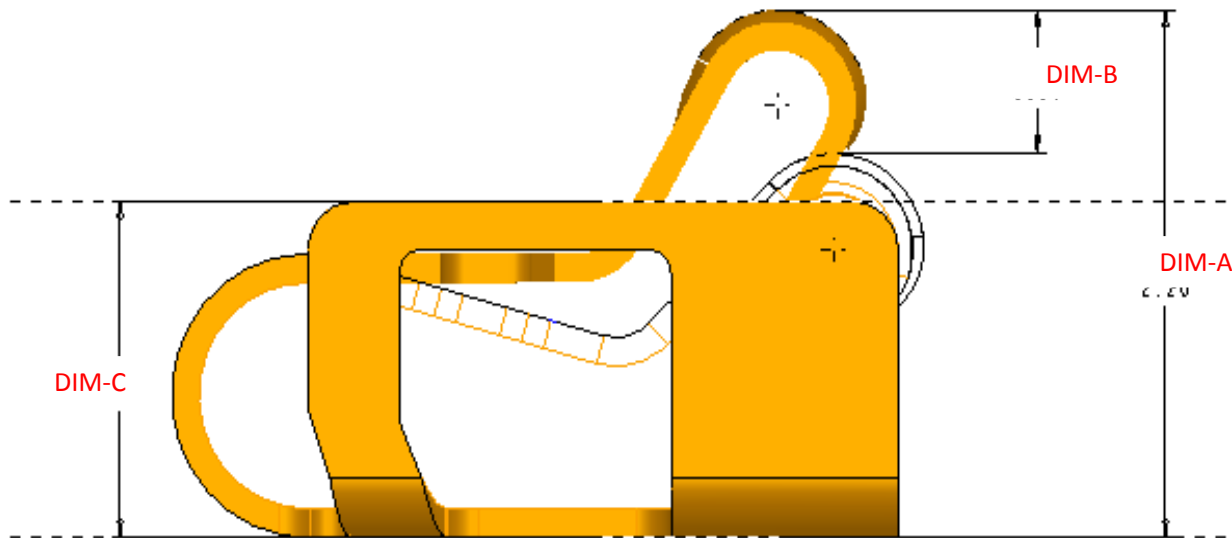


Displacement 0.97mm

	Normal force (gf)	
	Initial	After
1	76	78
2	73	71
MAX	76	78
MIN	73	71



Specification



P/N	DIM-A	DIM-B	DIM-C
2SC3003-000111F	4.00	0.80	2.50
2SC2Y05-000180F	1.80	0.60	1.00
2SC1006-000101	2.20	0.60	1.40
2SC1006-000211	2.50	0.97	1.40
2SC1006-001101	2.20	0.60	1.40
2SC1006-001211	1.80	0.65	1.00
2SC2010-000240F	2.40	0.60	1.35



The End

Thank You!