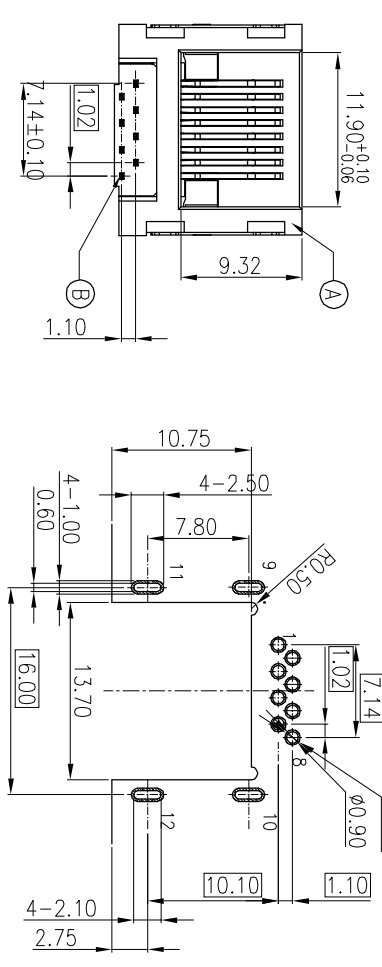
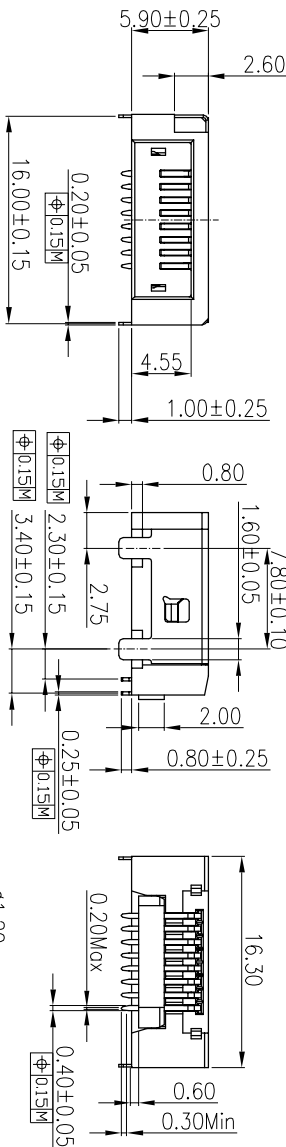


SPECIFICATIONS:

1. ELECTRICAL CHARACTERISTICS:

- 1-1. CURRENT RATING: 1.5A MAX.
 - 1-2. VOLTAGE RATING: 150V MAX.
 - 1-3. CONTACT RESISTANCE : 50mΩ MAX.(INITIAL).
 - 100mΩ MAX.(AFTER LIFE TEST).
 - 1-4. INSULATION RESISTANCE : 100MΩ MIN.
 - 1-5. Dielectric Withstanding Voltage : 500 V AC
- 2. MECHANICAL CHARACTERISTICS:**
- 2-1. DURABILITY: 5000 CYCLES.
 - 2-2. INSERTION FORCE: 2.25Kg MAX. WITH LATCH DEPRESSED.
 - 2-3. WITHDRAWAL FORCE: 4.5Kg MAX. WITH LATCH DEPRESSED.
 - 2-4. OPERATING TEMPERATURE: -30℃ ~ +70℃.
- 3. MARKING: MARK "S" INSIDE OF THE CONNECTOR.**
- 4. PACKAGING : TAPE & REEL.**
- 5. TO CONFORM TO SINGATRON HAZARDOUS SUBSTANCE FREE SPEC.**
- 6. HALOGEN FREE PRODUCT IDENTIFICATION**
- 7. HALOGEN FREE PRODUCT IDENTIFICATION LOGO ON THE PACKAGING:**
- 8. FOR REFLOW SOLDERING LEAD-FREE PROCESS.**
- 9. PRINTED DATE CODE "YY MM DD" ON TOP OF THE CONNECTOR.**



RECOMMENDED PCB LAYOUT
TOP VIEW : TOL.±0.05
(PCB THICKNESS=1.00mm)

REV.	ECN NO OR DESCRIPTION	REVISED	DATE
A	PDR NO:1T151111-3A	ALLEN	2016.06.14



E	COVER	1	HIGH TEMP.THERMOPLASTIC	UL 94V-0 & BLACK
D	STOP	2	HIGH TEMP.THERMOPLASTIC	UL 94V-0 & BLACK
C	SHELL	1	STAINLESS STEEL	NICKEL
B	TERMINAL	8	PHOSPHOR BRONZE	NI PLATING ALL OVER Au/C/F ON CONTACT AREA, Matte Sn 80% ON SOLDER TAIL. ALL OVER NI 500' MIN.
A	HOUSING	1	HIGH TEMP.THERMOPLASTIC	UL 94V-0 & BLACK
NO	DESCRIPTION	QTY	MATERIAL	PLATING & COLOR

UNLESS OTHERWISE SPECIFIED TOLERANCES

Singatron Enterprise Co., Ltd.
信晉企業股份有限公司

TITLE: RJ45 JACK

DECIMALS:	ANGLES:	DRAWN	ALLEN	PART NO.	2RJ3081-178111F
X :±0.5	X :±2°	CHKD	james	SCALE	4:1
X.X :±0.3	X.X :±1°	APVD	boye	SIZE	A3
X.XX :±0.2				SHEET	1 OF 1

CUSTOMER COPY