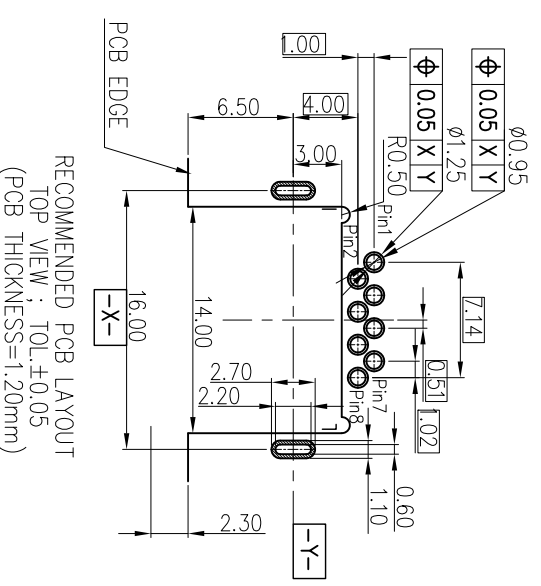
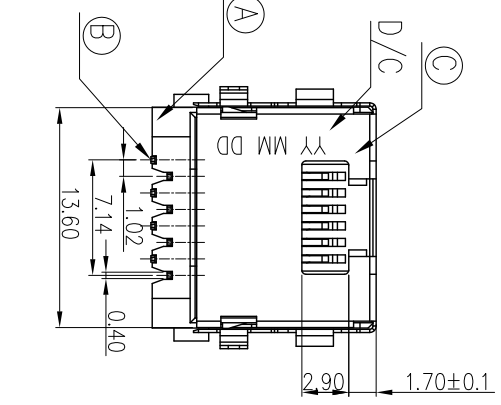


Section A-A

- SPECIFICATIONS:**
- ELECTRICAL CHARACTERISTICS:**
 - 1-1. CURRENT RATING: 1.5A MAX.
 - 1-2. VOLTAGE RATING: 150V MAX.
 - 1-3. CONTACT RESISTANCE: 50mΩ MAX (INITIAL), 100mΩ MAX (AFTER LIFE TEST).
 - 1-4. INSULATION RESISTANCE: 100MΩ MIN.
 - MECHANICAL CHARACTERISTICS:**
 - 2-1. DURABILITY: 5000 CYCLES.
 - 2-2. INSERTION FORCE: 2.25kg MAX. WITH LATCH DEPRESSED.
 - 2-3. WITHDRAWAL FORCE: 4.5kg MAX. WITH LATCH DEPRESSED.
 - 2-4. OPERATING TEMPERATURE: -30°C ~ +70°C.
 - MARKING: MARK "S" INSIDE OF THE CONNECTOR.
 - PACKAGING: TAPE & REEL.
 - TO CONFORM TO SINGATRON HAZARDOUS SUBSTANCE FREE SPEC.
 - HALOGEN FREE PRODUCT IDENTIFICATION
 - MARK ON PRODUCT: ○
 - HALOGEN FREE PRODUCT IDENTIFICATION LOGO ON THE PACKAGING: ●
 - FOR REFLOW SOLDERING LEAD-FREE PROCESS.
 - PRINTED DATE CODE "YY MM DD" ON TOP OF THE CONNECTOR.

DD: DAY
MM: MONTH
YY: YEAR



NO	DESCRIPTION	QTY	MATERIAL	PLATING & COLOR
C	SHELL	1	STAINLESS STEEL	NICKEL PLATING ALL OVER
B	8P8C CONTACT	8	PHOSPHOR BRONZE	Au 6μ" ON CONTACT AREA; Matte Sn 120μ" ON SOLDER TAIL; ALL OVER IN 50μ" MIN.
A	BODY	1	LCP	UL 94V-0 & BLACK

DECIMALS:	ANGLES:
X : ±0.5	X : ±2°
X.X : ±0.3	X.X : ±1°
X.XX : ±0.2	

TITLE	PART NO.	UNIT:	REV:
DWM	ALLEN	R445 JACK	1
CHKD	JAMES	PART NO. 2RJ3083-008211F	1
APVD	BOYE	SCALE 4:1	1
		SIZE: A3	SHEET: 1 / 1

Singatron Enterprise Co., Ltd.
信晉企業股份有限公司

CUSTOMER COPY

REV.	ECN NO OR DESCRIPTION	REVISED	DATE
A	PDR NO: T13083-4A	ALLEN	2014.12.08