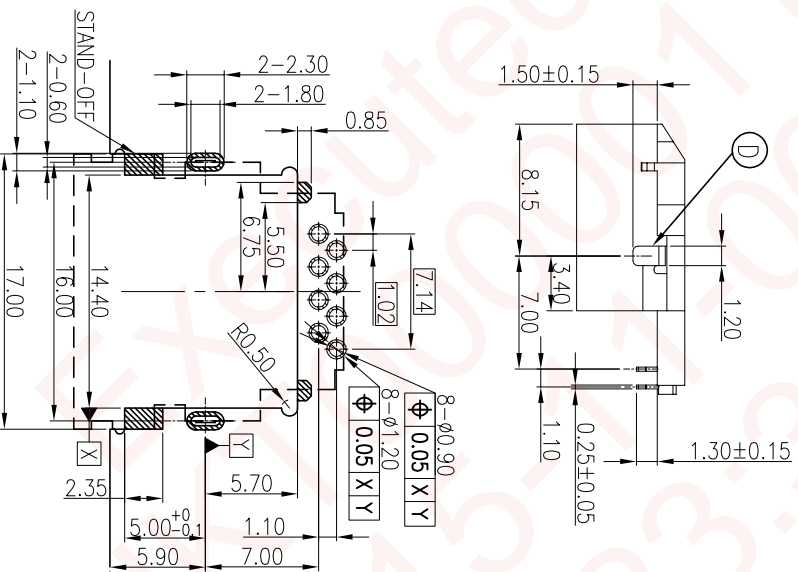
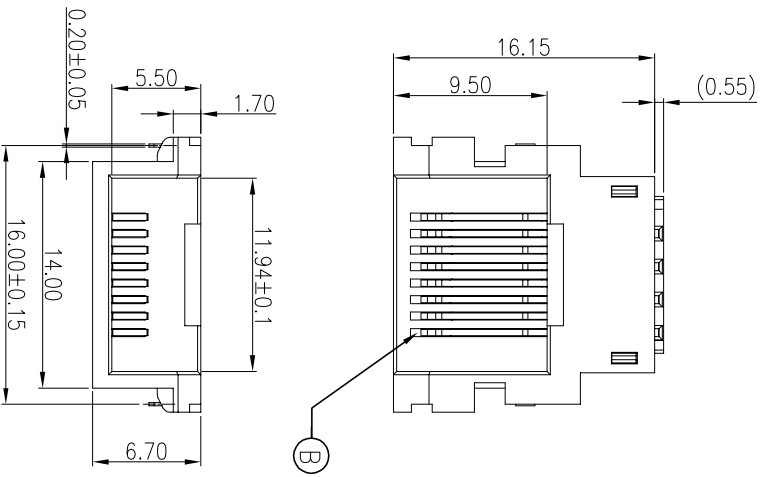
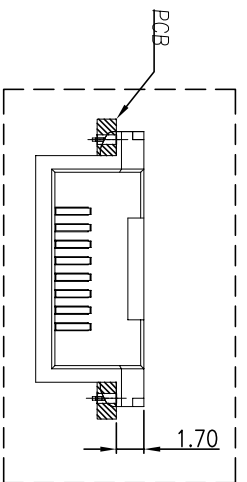


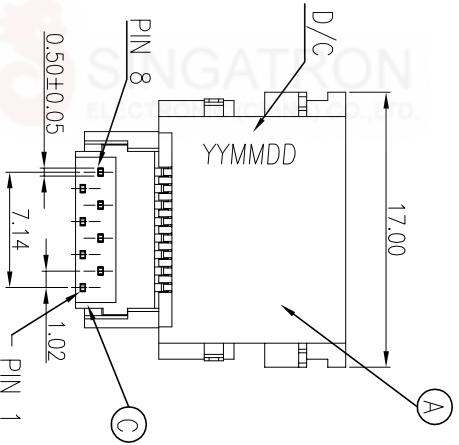
REV.	ECN NO. OR DESCRIPTION	REVISED	DATE
A	PDR NO. T150915-3A	ALLEN	2015.10.22

**SPECIFICATIONS:**

- ELECTRICAL CHARACTERISTICS:
  - CURRENT RATING: 0.5A MAX.
  - VOLTAGE RATING: 150V MAX.
  - CONTACT RESISTANCE: 50mΩ MAX.(INITIAL). 100mΩ MAX.(AFTER LIFE TEST).
  - INSULATION RESISTANCE: 100MΩ MIN.
- MECHANICAL CHARACTERISTICS:
  - DURABILITY: 5000 CYCLES.
  - INSERTION FORCE: 2.25Kg MAX. WITH LATCH DEPRESSED.
  - WITHDRAWAL FORCE: 4.5Kg MAX. WITH LATCH DEPRESSED.
  - OPERATING TEMPERATURE: -30°C ~ +70°C.
- PACKAGING : TAPE & REEL.
- TO CONFORM TO SINGATRON HAZARDOUS SUBSTANCE FREE SPEC.
- HALOGEN FREE PRODUCT IDENTIFICATION
- MARK ON PRODUCT: ○ IDENTIFICATION LOGO ON THE PACKAGING: ●
- FOR REFLOW SOLDERING LEAD-FREE PROCESS.
- PRINTED DATE CODE" YY MM DD " ON TOP OF THE CONNECTOR.



RECOMMENDED PCB LAYOUT  
TOP VIEW : TOL.±0.05  
(PCB THICKNESS=1.20mm)



NO.	DESCRIPTION	QTY	MATERIAL	PLATING & COLOR
E	COVER	1	HIGH TEMP.THERMOPLASTIC	UL 94V-0 & BLACK
D	HOOK	2	Stainless Steel 0.20t	NI PLATING ALL OVER
C	COVER	1	HIGH TEMP.THERMOPLASTIC	UL 94V-0 & BLACK
B	8P8C CONTACT	8	PHOSPHOR BRONZE 0.25t	GOLD PLATING ON CONTACT AREA, Sn 120u" ON SOLDER TAIL, ALL OVER NI 50u"MIN.
A	BODY	1	HIGH TEMP.THERMOPLASTIC	UL 94V-0 & BLACK

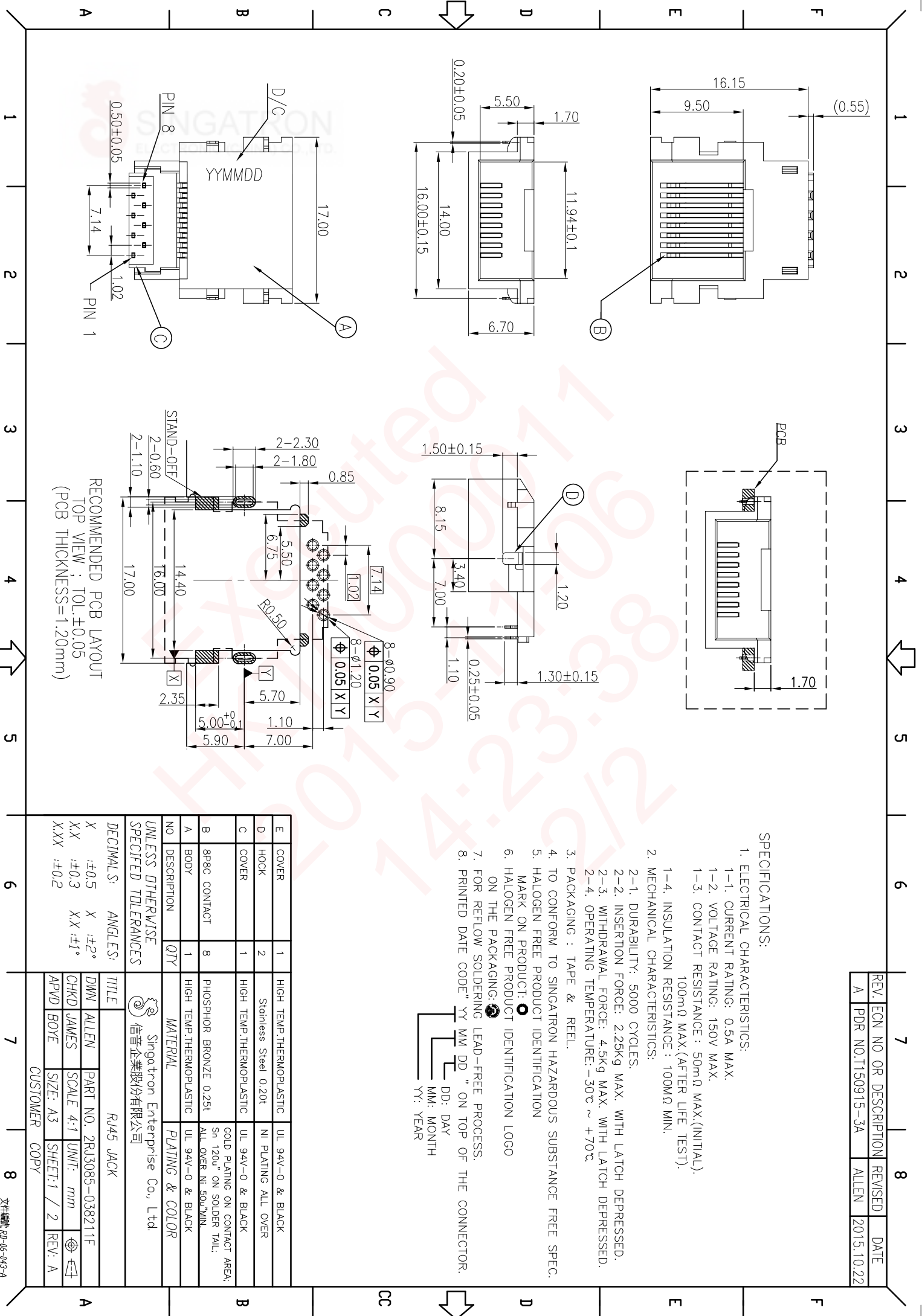
UNLESS OTHERWISE SPECIFIED TOLERANCES

Singatron Enterprise Co., Ltd.  
信管企業股份有限公司

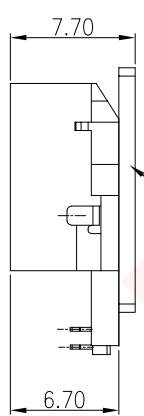
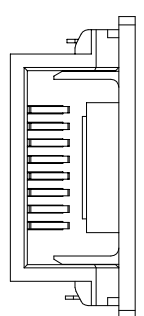
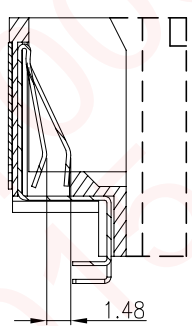
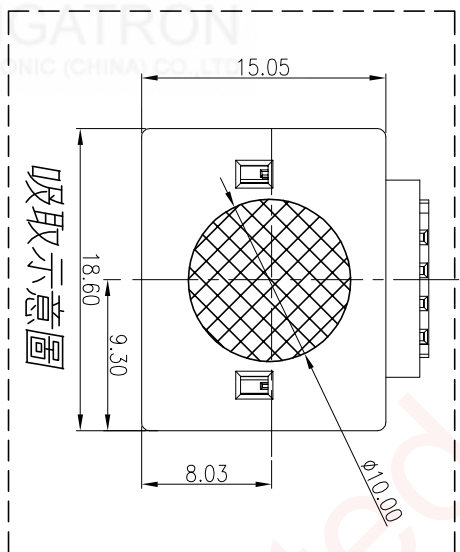
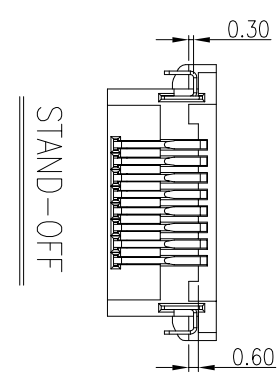
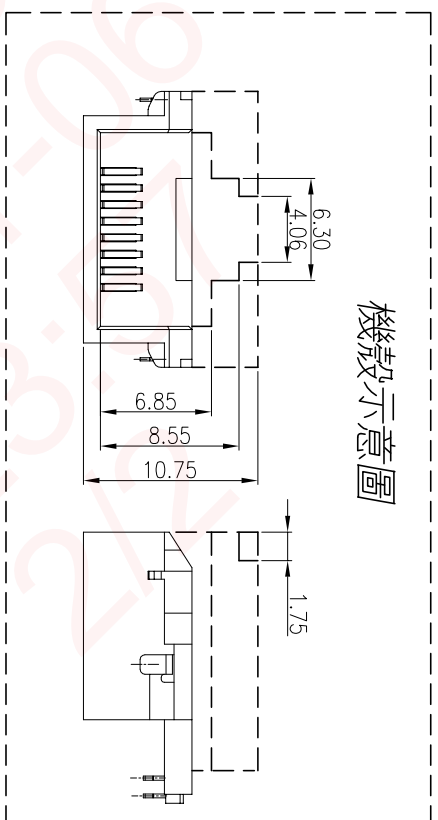
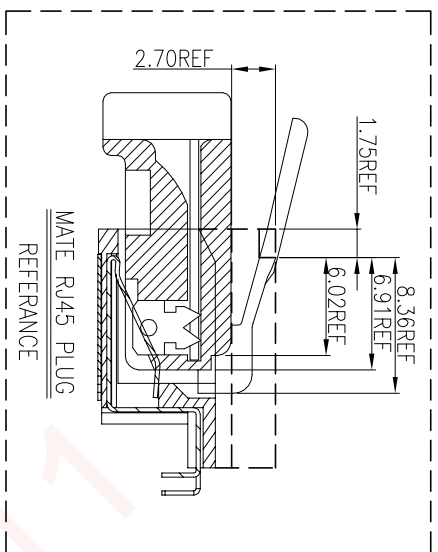
DECIMALS:	ANGLES:
X : ±0.5	X : ±2°
X.X : ±0.3	X.X : ±1°
X.XX : ±0.2	

TITLE	R445 JACK
DWN ALLEN	PART NO. 2R13085-038211F
CHKD JAMES	SCALE 4:1 UNIT: mm
APVD BOYE	SIZE: A3 SHEET: 1 / 2 REV: A

CUSTOMER COPY



REV.	ECN NO. OR DESCRIPTION	REVISED	DATE
A	PDR NO.1150915-3A	ALLEN	2015.10.22



NO	DESCRIPTION	QTY	MATERIAL	PLATING & COLOR
UNLESS OTHERWISE SPECIFIED TOLERANCES				
DECIMALS:	ANGLES:			
X : ±0.5	X : ±2°			
XX : ±0.3	XX : ±1°			
XXX : ±0.2				
TITLE: RJ45 JACK				
DWN	ALLEN	PART NO.	2RU3085-038211F	
CHKD	JAMES	SCALE	4:1	UNIT: mm
APVD	BOYE	SIZE:	A3	SHEET: 2/2
REV: A				
CUSTOMER COPY				

