

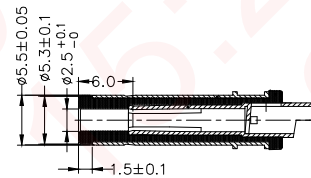
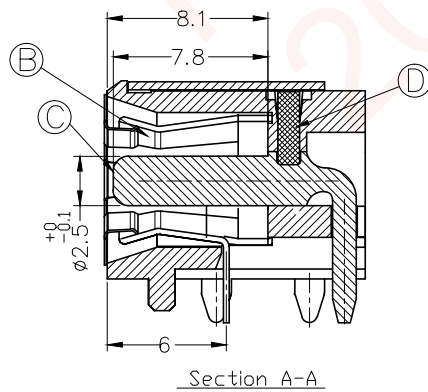
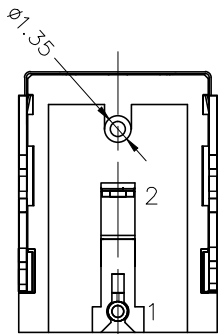
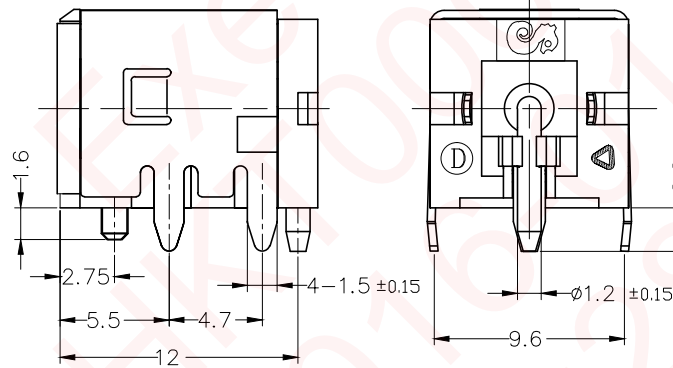
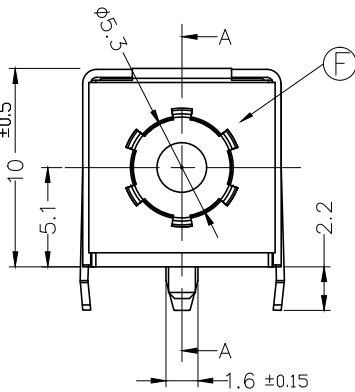
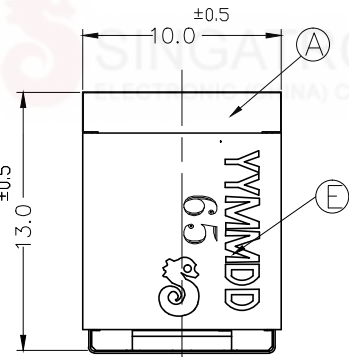
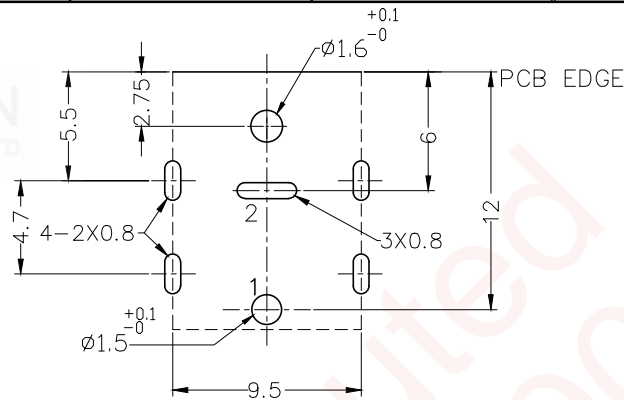
REV.	ECN NO OR DESCRIPTION	REVISED	DATE
D	ECN NO: S081005	BOYE	2008.11.24
E	ECN NO: S150941-E	YUREN	2015.12.11

SPECIFICATIONS:

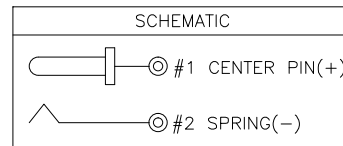
- RATING: DC 20V 10A 44uF
- INSERTION FORCE: 3.0Kg MAX.
WITHDRAWAL FORCE: 1.0Kg~3.0Kg
- INSULATION RESISTANCE BETWEEN ANY ADJACENT TERMINALS SHALL NOT BE LESS THAN 100 MEGOHMS BY 500 VOLTS MEGGER.
- JACK SHALL WITHSTAND 250 VOLTS BETWEEN ANY ADJACENT TERMINAL FOR ONE MINUTE.
- CONTACT RESISTANCE SHALL NOT EXCEED 30mΩ
- JACK SHALL WITHSTAND 5,000 CYCLES OF INSERTION AND WITHDRAWAL WITH TESTING PLUG, AND CONTACT RESISTANCE SHALL NOT EXCEED 50mΩ
- MEASURING CONDITION:
TEMPERATURE: FROM 5°C TO 35°C.
RELATIVE HUMIDITY: FROM 40% TO 85%.
- ENVIRONMENTAL SPECIFICATIONS:
 - HUMIDITY TEST: HUMIDITY 90% TO 95% TEMPERATURE 40°C ±2°C FOR 96 HOURS.
 - HEAT TEST: TEMPERATURE 70°C ± 2°C (HUMIDITY BELOW 50%) FOR 96 HOURS.
 - COLD TEST: TEMPERATURE -40°C ± 2°C FOR 96 HOURS.
- MATING PLUG : SINGATRON'S P/N : 2DP-G213-B04(PLUG SET)
- PACKAGING: TAPE & REEL
- PRINTED DATE CODE "YYMMDD" ON TOP OF CONNECTOR. YYMMDD
 DD: DAY
 MM: MONTH
 YY: YEAR
- RATING: DC 20V 10A 44uF DEPEND ON MATING PLUG DETAIL TYPE
13. TO CONFORM TO SINGATRON HAZARDOUS SUBSTANCE FREE SPEC.
- GREEN PRODUCT IDENTIFICATION MARK ON JACK:
- GREEN PRODUCT IDENTIFICATION LABEL ON PACKAGING: **G.P. PASS**
- FOR LEAD FREE PROCESS.

RECOMMEND P.C.B LAYOUT

TOP VIEW (TOLERANCE ±0.05)



ø5.5 PULG TYPE(2DP-G213-B04)
1.RATING: DC 20V 10A 44uF



F	GROUND	1	SUS 304 0.15t	N/A
E	SHELL	1	SPCC-SD 0.4t	Ni 60u" Mim.(N4)
D	STOPPER	1	HIGH TEMP.THERMOPLASTIC UL94V-0	NATURE
C	PIN	1	HBI59-1.5B	Ag 20u" Min.
B	SPRING	1	COPPER ALLOY 0.3t	Sn 60u"Min,Ni 60u"Min.
A	BODY	1	HIGH TEMP.THERMOPLASTIC UL94V-0	BLACK
NO	DESCRIPTION	QTY	MATERIAL	PLATING & COLOR

UNLESS OTHERWISE SPECIFIED TOLERANCES

DECIMALS: ANGLES:
X :±0.5 X :±2"
X.X :±0.3 X.X :±1"
X.XX :±0.2

SINGATRON		Singatron Enterprise Co., Ltd. 信音企業股份有限公司	
TITLE		DC POWER JACK	
DWN	YUREN	PART NO. 2DC-G213-B28	
CHKD	CERRY	SCALE:4:1	UNIT: mm
APVD	LIAO	SIZE: A3	SHEET:1 OF 1
		REV:E	

CUSTOMER COPY