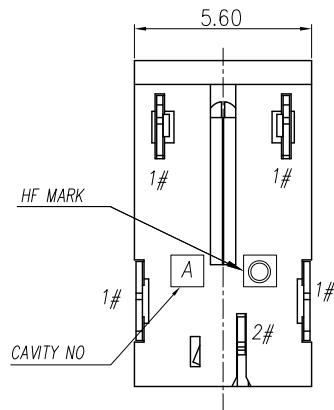
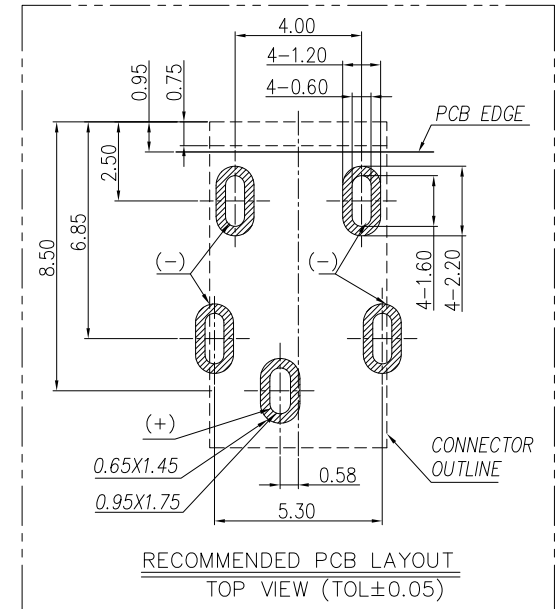
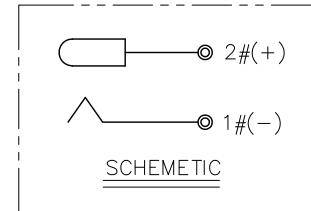
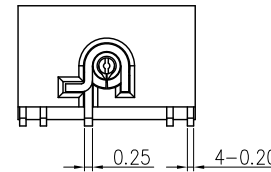
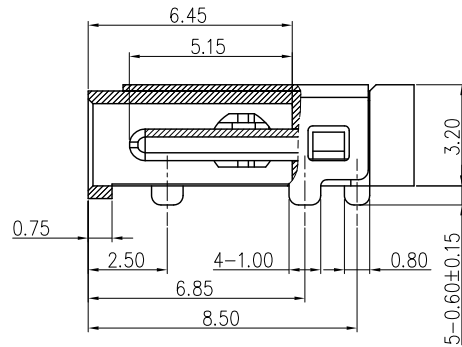
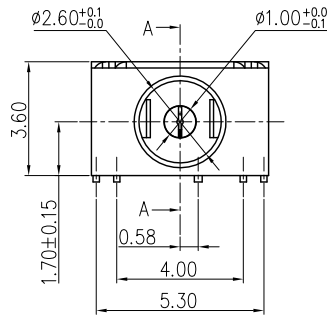
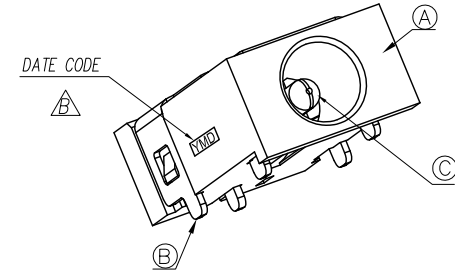
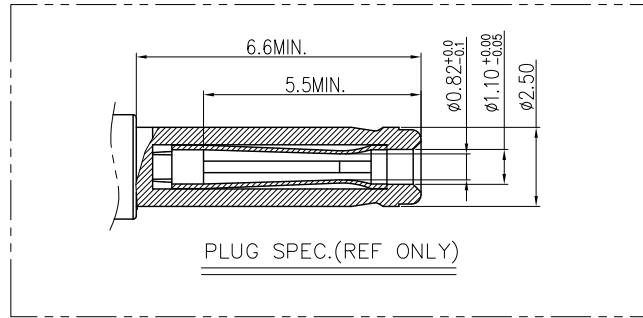
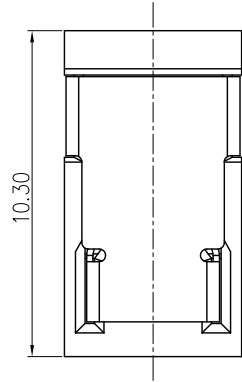


REV.	ECN NO OR DESCRIPTION	REVISED	DATE
A	PRODUCT RELEASE	Hagen.Hu	2012.06.29
B	ECN:C120311 MODIFY D/C	DAOWEN	2012.11.26



- SPECIFICATIONS:
- ELECTRICAL CHARACTERISTICS:
 - CURRENT RATING:1A
 - DIELECTRIC WITHSTANDING VOLTAGE: 500V R.M.S MIN;
 - INSULATION RESISTANCE: 1000MΩ MIN.
 - CONTACT RESISTANCE: 30mΩ MAX.(INITIAL)
 - MECHANICAL CHARACTERISTICS:
 - INSERTION FORCE : 0.4~2.0 KGF
 - WITHDRAWAL FORCE : 0.4~2.0 KGF
 - LIFE TEST: 5,000 CYCLES MIN.
 - OTHER GENERAL SPEC. TO REFER "2DC2032 SERIES_SPEC".
 - TO CONFORM TO SINGATRON HAZARDOUS SUBSTANCE FREE SPEC.
 - HALOGEN FREE PRODUCT IDENTIFICATION MARK ON PRODUCT:
 - HALOGEN FREE PRODUCT IDENTIFICATION LABEL ON PACKAGING:
 - FOR REFLOW SOLDERING LEAD FREE PROCESS.
 - PACKAGING: TAPE&TEEL

NO	DESCRIPTION	QTY	MATERIAL	PLATING & COLOR
C	PIN	1	COPPER ALLOY,0.25T	SILVER PLATING
B	SHELL	1	COPPER ALLOY,0.20T	SILVER PLATING
A	HOUSING	1	HIGH TEMP. THERMAL PLASTIC UL94-V0	BLACK
UNLESS OTHERWISE SPECIFIED TOLERANCES		Singatron Enterprise Co., Ltd. 信音企業股份有限公司		
DECIMALS: ANGLES:		TITLE: DC POWER JACK		
X	:±0.5	X	:±2°	DWN DAOWEN 2012.11.27 PART NO. 2DC2032-001111F
X.X	:±0.3	X.X	:±1°	CHKD Z.JZ 2012.11.27 SCALE 5:1 UNIT: mm
X.XX	:±0.2	APVD	LJAO 2012.12.03	SIZE: A3 SHEET: 10F1 REV: B
CUSTOMER COPY				