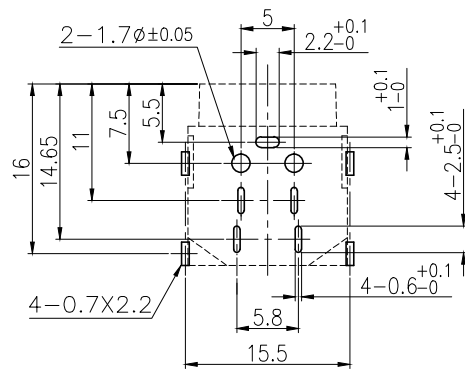
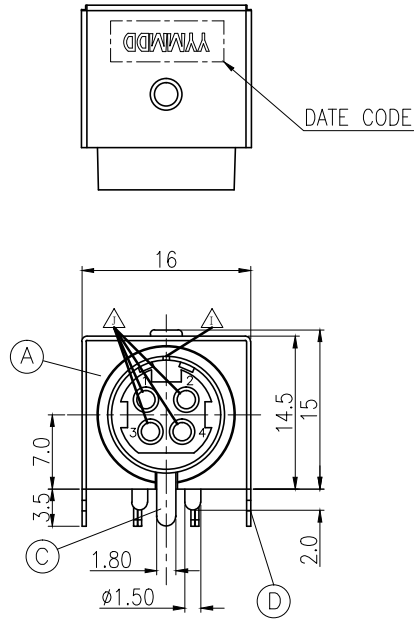
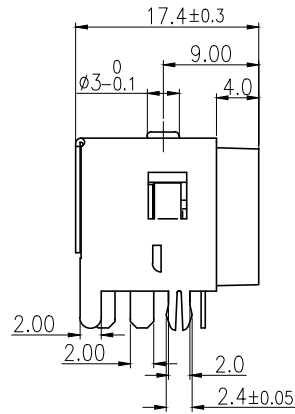
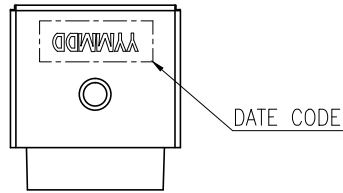
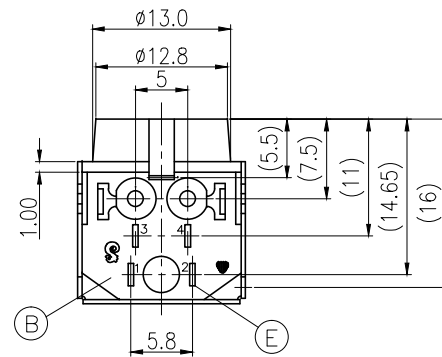


| REV. | ECN NO OR DESCRIPTION | REVISED | DATE |
|------|-------------------------------|-----------|------------|
| I | ECN NO:C130233 UPDATE DRAWING | TFY | 2014.1.9 |
| J | ECN NO:C140041 UPDATE DRAWING | CAOCHEN | 2014.06.11 |
| K | ECN NO:C202001-C12 | Shunzhong | 2020.11.26 |



RECOMMENDED PCB LAYOUT
(TOP VIEW)(TOL. ±0.05)

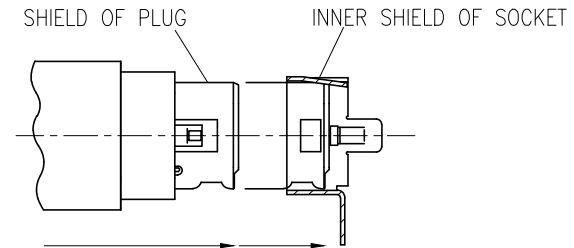
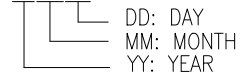


DATE CODE

REMARK:

1. RATING: DC 26V/8.5A.
2. SOLDERING CONDITION: WAVE SOLDERING.
3. MARKING: MARK "S" ON REAR OF CONNECTOR.
4. GREEN PRODUCT IDENTIFICATION MARK ON JACK:
5. GREEN PRODUCT IDENTIFICATION LABEL ON PACKAGING: **G.P. PASS**
6. TO CONFORM TO SINGATRON HAZARDOUS SUBSTANCE FREE SPEC
7. FOR WAVE SOLDERING LEAD-FREE PROCESS.
8. PRINTED DATE CODE "YYMMDD" ON TOP OF CONNECTOR.

DATE CODE: YYMMDD



A-A' SECTION OF INNER SHIELD

| NO | DESCRIPTION | QTY | MATERIAL | PLATING & COLOR |
|----|------------------|-----|-----------------------|-------------------|
| E | CONTACT TERMINAL | 4 | PHOSPHOR BRONZE 0.3T | SILVER PLATING |
| D | OUTER SHIELD | 1 | BRASS 0.4T | TIN ALLOY PLATING |
| C | INNER SHIELD | 1 | BRASS 0.4T | NICKEL PLATING |
| B | COVER | 1 | THERMOPLASTIC UL94V-0 | BLACK COLOR |
| A | BODY | 1 | THERMOPLASTIC UL94V-0 | BLACK COLOR |

UNLESS OTHERWISE SPECIFIED TOLERANCES

DECIMALS: X :±0.5
X.X :±0.3
X.XX :±0.2

ANGLES: X :±2°
X.X :±1°

Singatron Enterprise Co., Ltd.
信音企業股份有限公司

| TITLE | 4P SOCKET | | |
|-------|----------------|-----------------------|--------------------|
| DWN | Shunzhong Yuan | PART NO. 2MJ-0402A120 | |
| CHKD | Stone Zhu | SCALE 1:1 | UNIT: mm |
| APVD | Jim Deng | SIZE: A3 | SHEET: 10F1 REV: K |

CUSTOMER COPY