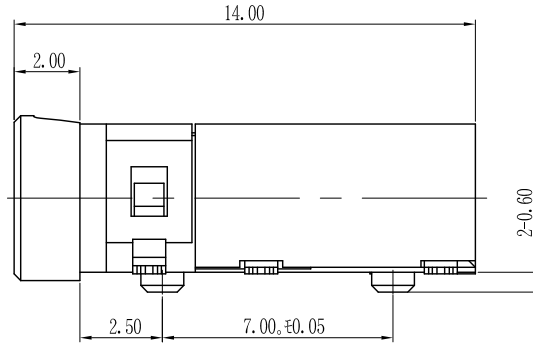
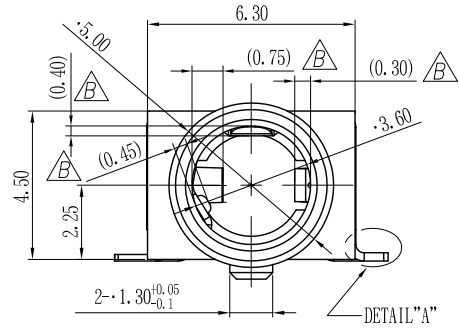
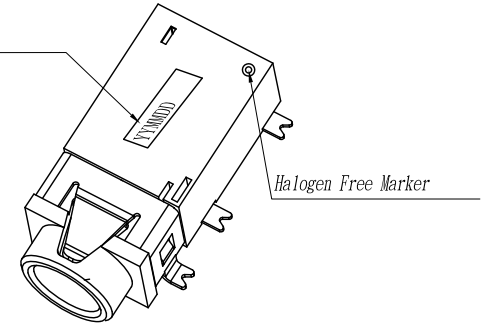


REV.	ECN NO OR DESCRIPTION	REVISED	DATE
B	ECN:C100156 ADD DIMENSION	REX	2010.06.14
C	ECN:C110374 Update drawing	Longjiang	2011.11.29



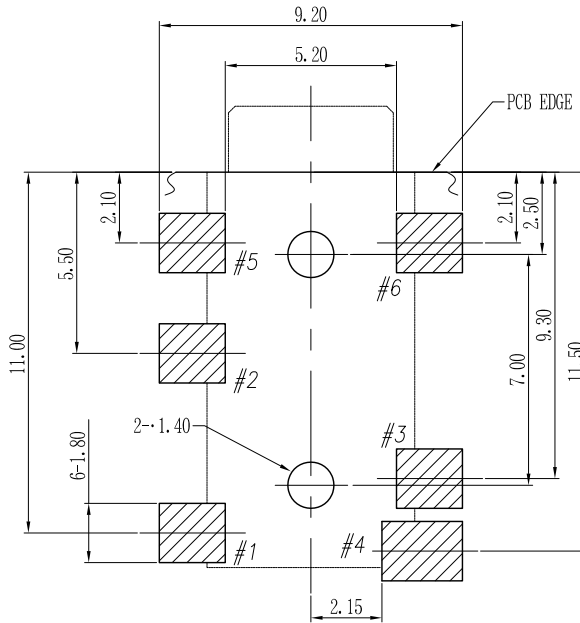
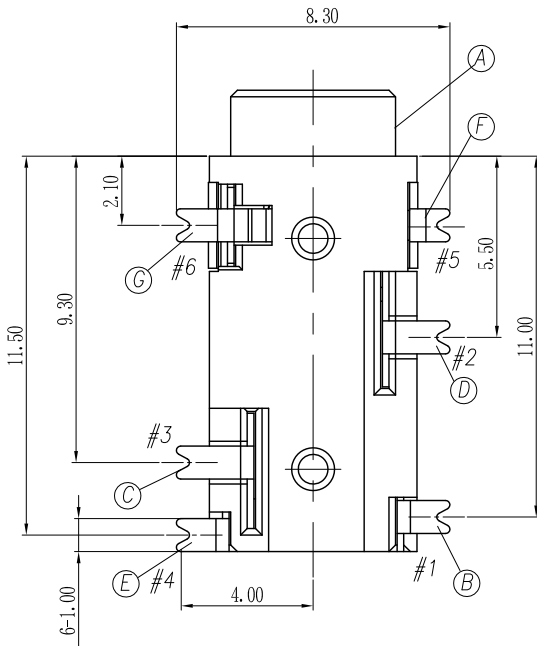
DATE CODE



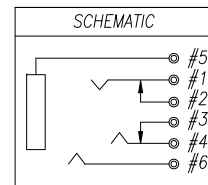
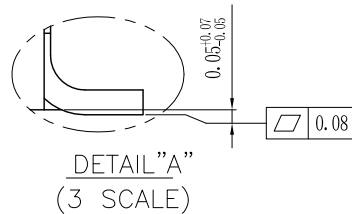
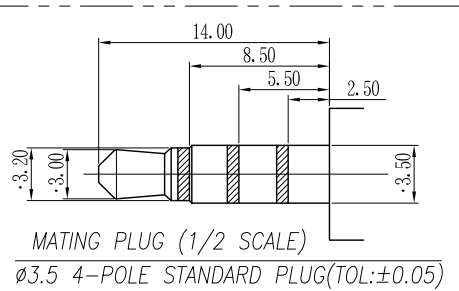
Halogen Free Marker

SPECIFICATIONS:

- ELECTRICAL CHARACTERISTICS:**
 - RATING: 12V 1A
 - CONTACT RESISTANCE: 30m MAX. (INITIAL)
 - DIELECTRIC WITHSTANDING VOLTAGE: 500V AC FOR ONE MINUTE.
 - INSULATION RESISTANCE: 100M MIN. MEASURED BY 500 VDC
- MECHANICAL CHARACTERISTICS:**
 - INSERTION FORCE : 0.3~3.0 KGF
 - WITHDRAWAL FORCE : 0.3~3.0 KGF
- LIFE TEST:** 5,000 CYCLES MIN.
- OTHER GENERAL SPEC.** TO REFER "2SJ2296 SERIES SPEC".
- TO CONFORM TO SINGATRON HAZARDOUS SUBSTANCE FREE SPEC.**
- HALOGEN FREE PRODUCT IDENTIFICATION MARK ON PRODUCT:**
- HALOGEN FREE PRODUCT IDENTIFICATION LABEL ON PACKAGING:**
- FOR REFLOW SOLDERING LEAD-FREE PROCESS.**



RECOMMENDED PCB LAYOUT
TOP VIEW (TOLERANCE: ±0.05)



NO	DESCRIPTION	QTY	MATERIAL	PLATING & COLOR
G	RING-B	1	COPPER ALLOY 0.2t	Gold flash on contact area And solder tail, All over Nickel plated
F	EARTH	1	COPPER ALLOY 0.25t	
E	TIP SPRING	1	COPPER ALLOY 0.2t	
D	SHUNT-B	1	COPPER ALLOY 0.2t	
C	SHUNT-A	1	COPPER ALLOY 0.2t	
B	RING-A	1	COPPER ALLOY 0.2t	
A	BODY	1	HIGH TEMP. THERMOPLASTIC UL94-V0	BLACK COLOR

UNLESS OTHERWISE SPECIFIED TOLERANCES		Singatron Enterprise Co., Ltd. 信音企業股份有限公司	
DECIMALS:	ANGLES:	TITLE	·3.5 PHONE JACK
X : ±0.5	X : ±2°	DWN	longjiong 2011.01.08
X.X : ±0.3	X.X : ±1°	CHKD	zzz 2011.01.04
X.XX : ±0.2		APVD	lzm 2011.01.06
		PART NO. 2SJ2296-000111	
		SCALE	6:1
		UNIT:	mm
		SIZE:	A3
		SHEET:	10F1
		REV:	C
CUSTOMER COPY			