

1.27mm (0.05") Female Header -Single Row

High Profile 8.5mm

0053S Series

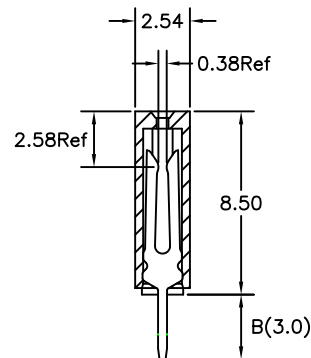
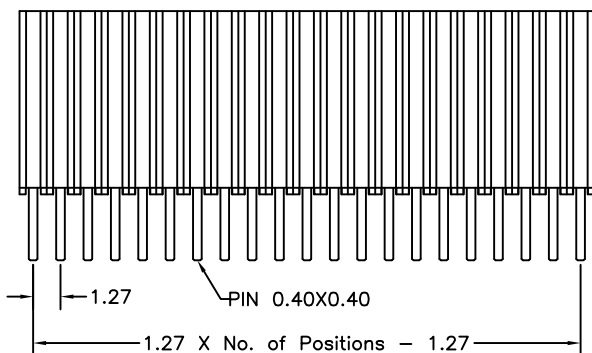
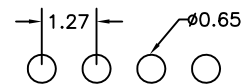
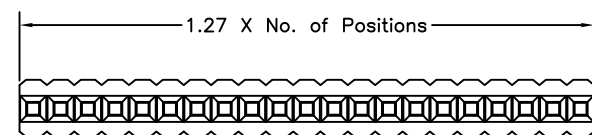
APPLICATION AND FEATURES

1. High density 1.27mm pitch is suitable for devices which require small and light internal parts.
2. High reliability contact structure provides high normal-force after repeated cycles.
3. Suggestion mating with 0051, 0151 & 0204 series.
4. RoHS compliant.

SPECIFICATIONS

Current Rating: 1 Amp
 Insulator Resistance: 1000 Megohms min.
 Contact Resistance: 20 m ohm Max.
 Dielectric Withstanding: 300V AC
 Operating Temperature: -40°C to +105°C
 Max Processing Temp: 230°C for 30 seconds and 260°C for 5 seconds
 Contact Material: Phosphor bronze
 Insulator Material: LCP, UL 94V-0

Recommended P.C.Board Hole Layout



Tolerance: $\pm 0.30\text{mm}$

Order Information 0053S Series

Example: 0053S - 34 - S - 02 - B - G

Series No.	Number of Contacts	Connector Type	Contact Plating	Pin Length mm	Code
0053S	02 to 35 Contacts	Straight S	Tin Plated 01	B	
			Gold Plated	2.7	A
			Flash 02	3.0	B
			10 μ " 10		
			30 μ " 30		