

1.27mm × 2.54mm (0.05" × 0.10") IDC Socket

For Flat Ribbon Cable

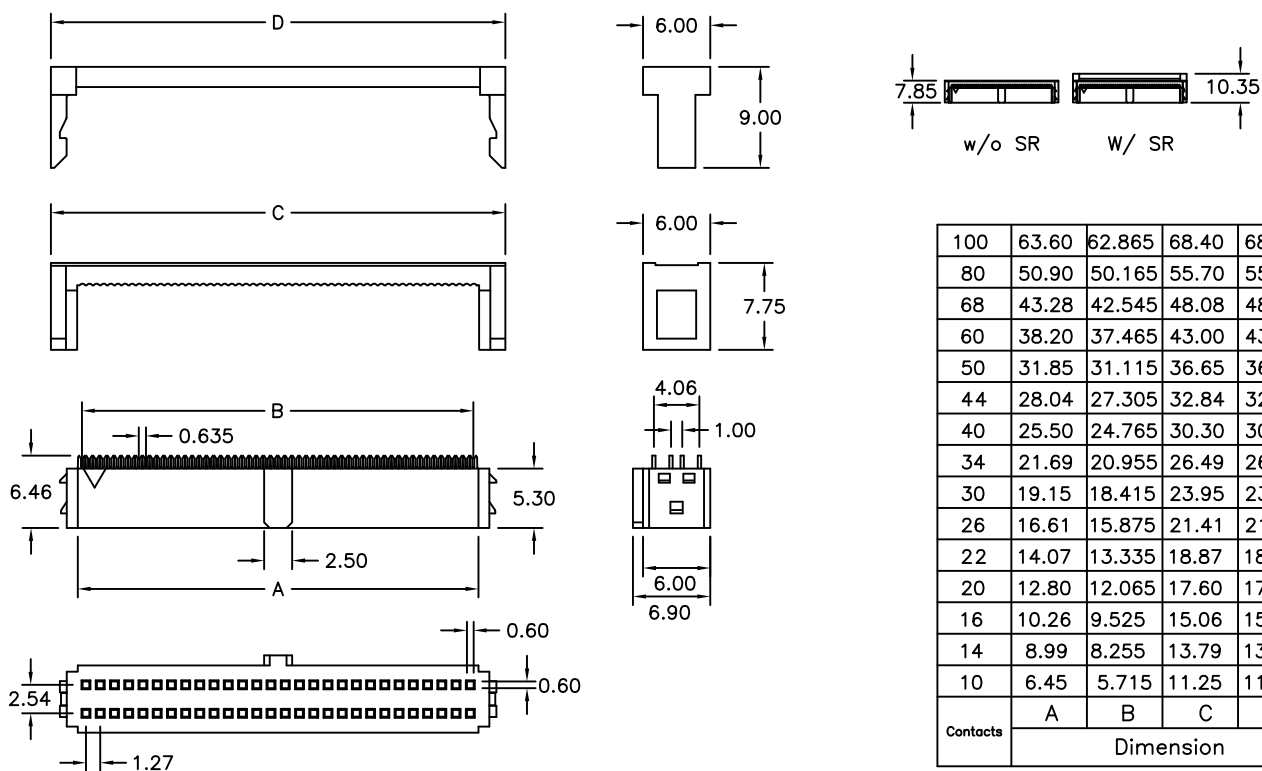
0101K Series

APPLICATION AND FEATURES

- 0101 Series Flat Cable connector is designed for which require small and light internal connector.
- Suggestion mating with 0102 series.
- RoHS compliant.

SPECIFICATIONS

Current Rating: 1 Amp
 Insulator Resistance: 500 Megohms min.
 Contact Resistance: 30 m ohm Max.
 Dielectric Withstanding: AC 500 V
 Operating Temperature: -40°C to +85°C
 Contact Material: Copper Alloy
 Insulator Material: PBT, UL 94V-0, Black



Tolerance: ±0.30mm

Order Information 0101K Series

Example: 0101K-50-02-1

Series No.	Number of Contacts	Contact Plating	Strain Relief
0101K W/ Key	10,14,16,20,22,26,30, 34,40,44,50,60,68,80, 100	Selective Gold Plated Flash 02 10 μ" 10 30 μ" 30	W/O Strain Relief 0 W/ Strain Relief 1