

# 1.27mm × 2.54mm (0.05" × 0.1") SMT Pin Header (Double Row)

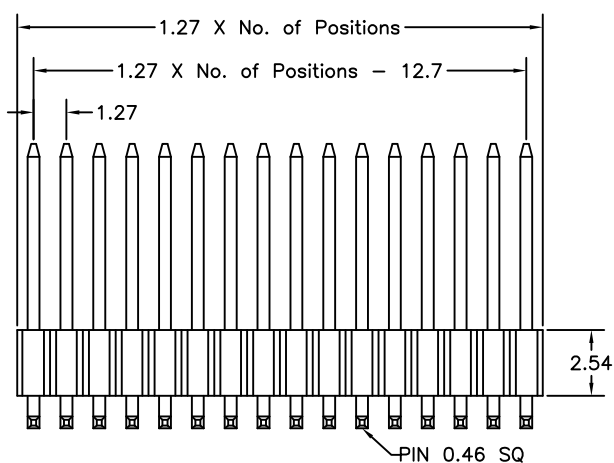
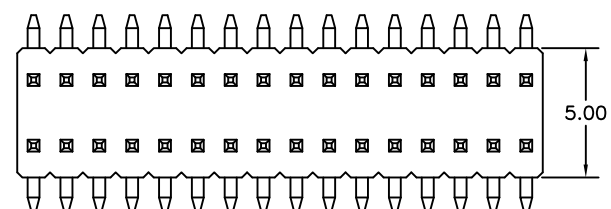
## 0151D Series

### APPLICATION AND FEATURES

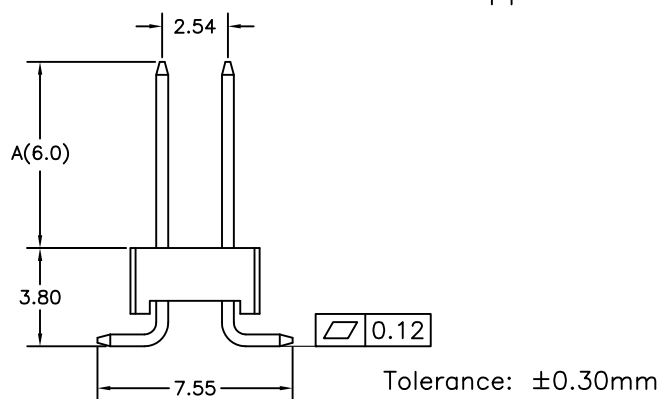
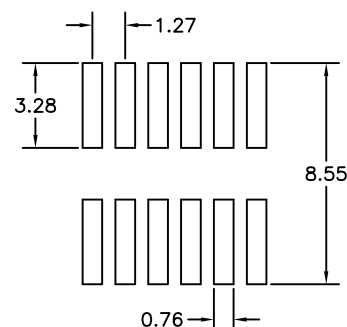
- 0151D series headers are ideal for board stacking application.
- Suggestion mating with 0052D, 0053D & 0152D series.
- RoHS compliant.

### SPECIFICATIONS

Current Rating:	1 Amp
Insulator Resistance:	1000 Megohms min.
Dielectric Withstanding:	300 VAC
Contact Resistance:	20mΩ Max.
Operating Temperature:	-40°C to +105°C
Max Processing Temp:	230°C for 30 seconds and 260°C for 5 seconds
Contact Material:	Brass
Insulator Material:	LCP, UL 94V-0



Recommended P.C.Board  
SMD Layout



### Order Information 0151D Series

Example: 0151D-20-S1-02-A

Series No.	Number of Contacts	Connector Type	Contact Plating	Pin Length mm
0151D	06 to 100 Contacts	2.54mm Base S1	Tin Plated 01	A
			Gold Plated	2.8
			Flash 02	For 0052D
			10 μ" 10	6.0
			30 μ" 30	For 0053D