

# 1.27mm × 2.54mm (0.05" × 0.1") SMT Female Header (Double Row)

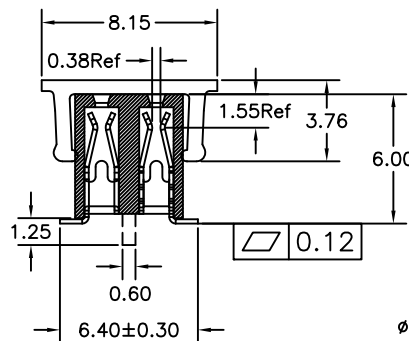
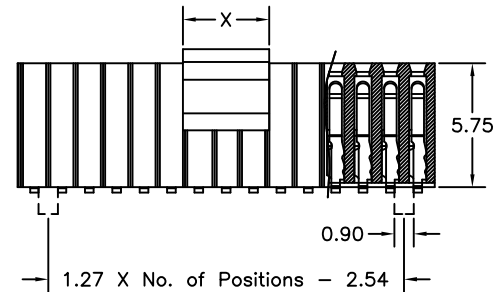
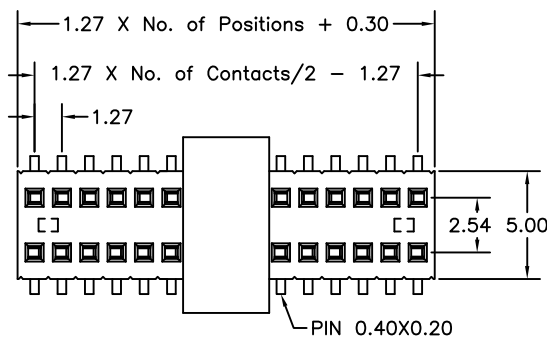
## 0152D Series

### APPLICATION AND FEATURES

1. Low profile: 6.0mm height.
2. High quality dual beam phosphor bronze contacts.
3. Designed for board to board small spacing interconnection.
4. Suggestion mating with 0051D, 0151D & 0204D series.
5. RoHS compliant.

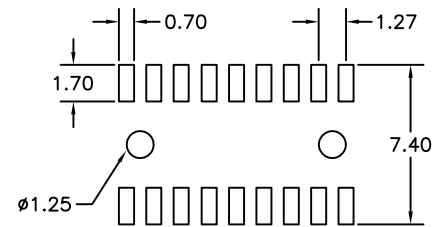
### SPECIFICATIONS

Current Rating:	1 Amp
Insulator Resistance:	1000 Megohms min.
Contact Resistance:	20 m ohm Max.
Dielectric Withstanding:	AC 500 V
Operating Temperature:	-40°C to +105°C
Max Processing Temp:	230°C for 30 seconds and 260°C for 5 seconds
Contact Material:	Phosphor bronze
Insulator Material:	High Temperature Thermoplastic, UL 94V-0

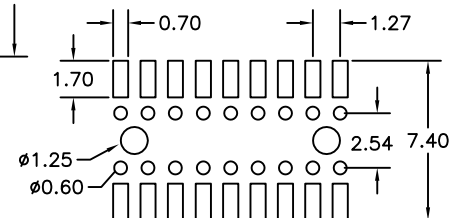


X	NOTE
4.00	03-25PIN
10.15	26-50PIN

### RECOMMENDED P.C.B LAYOUT FOR TOP ENTRY



### RECOMMENDED P.C.B LAYOUT FOR BOTTOM ENTRY



Tolerance: ±0.30mm

## Order Information 0152D Series

Example: 0152D-20-02-1-PT-G

<p><b>Series No.</b> 0152D</p>	<p><b>Number of Contacts</b> 06 to 100 Contacts</p>	<p><b>Contact Plating</b></p> <p>Tin Plated <input type="checkbox"/> 01</p> <p>Gold Plated</p> <p>Flash <input type="checkbox"/> 02</p> <p>10 μ" <input type="checkbox"/> 10</p> <p>30 μ" <input type="checkbox"/> 30</p>	<p><b>Locating Peg</b></p> <p>W/O Locating peg <input type="checkbox"/> 0</p> <p>W Locating peg <input type="checkbox"/> 1</p>
			<p>Null : Tube P : Cap + Tube PT: Cap + T&amp;R</p>