

1.27mm X 1.27mm (0.05" X 0.05") SMD Pin Header

Box Type
(Dual Row)

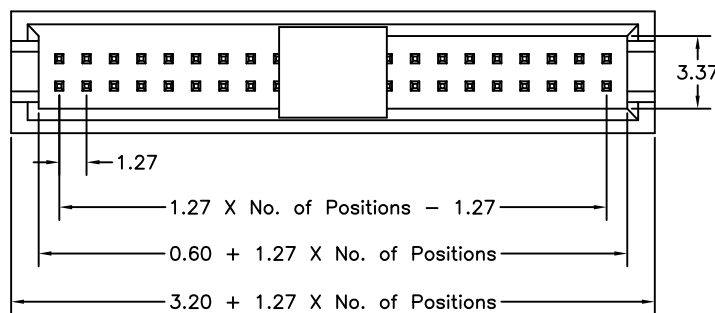
0153 Series

APPLICATION AND FEATURES

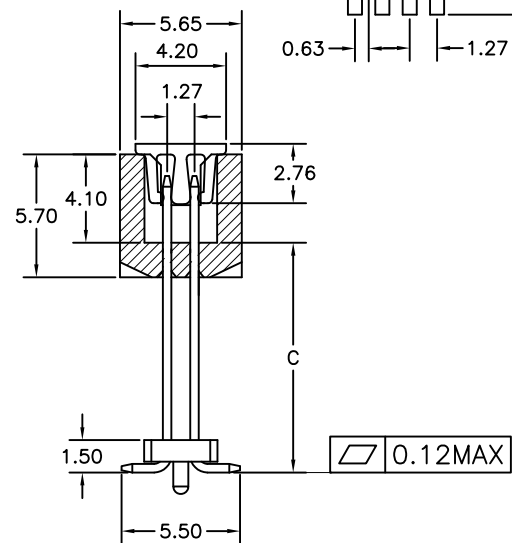
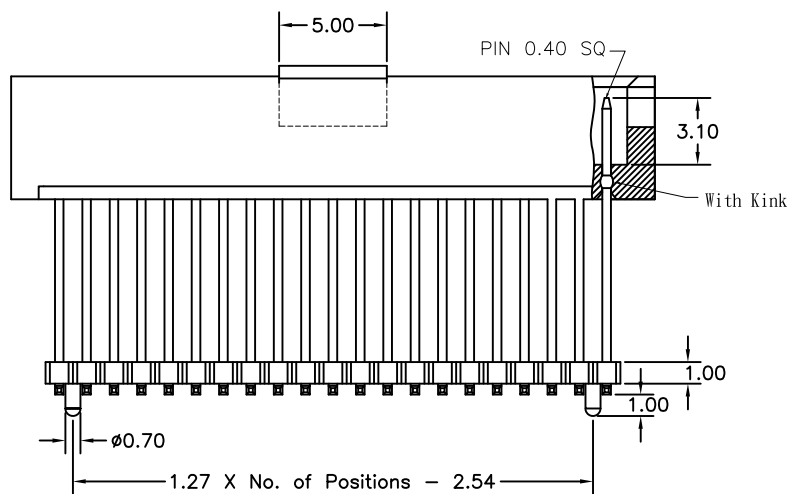
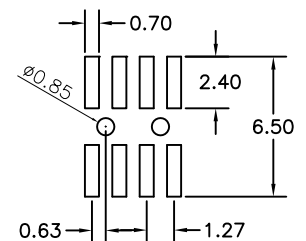
1. Variable pin length.
2. Mates with P.C.Board connectors such as 0057D & 0156 series.
3. RoHS compliant.

SPECIFICATIONS

Current Rating: 1 Amp
 Insulator Resistance: 1000 Megohms min.
 Dielectric Withstanding: 300V AC
 Operating Temperature: -40°C to +105°C
 Max Processing Temp: 230°C for 30 seconds and 260°C for 5 seconds
 Contact Material: Copper Alloy
 Insulator Material: High Temperature Thermoplastic, UL 94V-0



Recommended P.C.Board Hole Layout



Tolerance: ±0.30mm

Order Information 0153 Series

Example: 0153 - 50 - 02 - C - 1 - PT - G

Series No.	Number of Contacts	Contact Plating	Pin Length mm	Null : Tube P : Cap + Tube PT: Cap + T&R
0153	06 to 100 Contacts	Tin Plated 01	C	
		Gold Plated	7.0	
		Flash 02	9.4	
		10 μ" 10		Locating Peg
		30 μ" 30		W/O Locating peg 0
				W Locating peg 1