

# 1.27mm×1.27mm (0.05"×0.05") SMD Pin Header

Box Type  
(Dual Row)

0157 Series

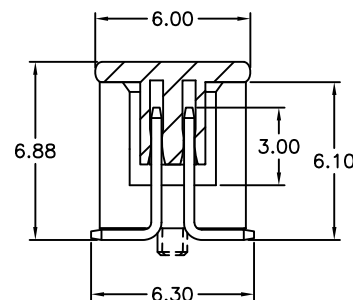
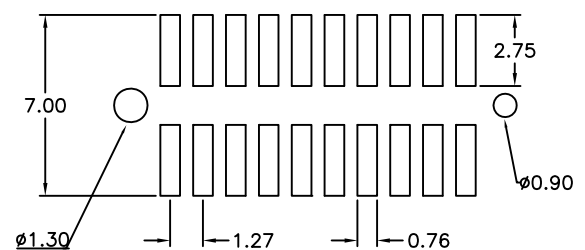
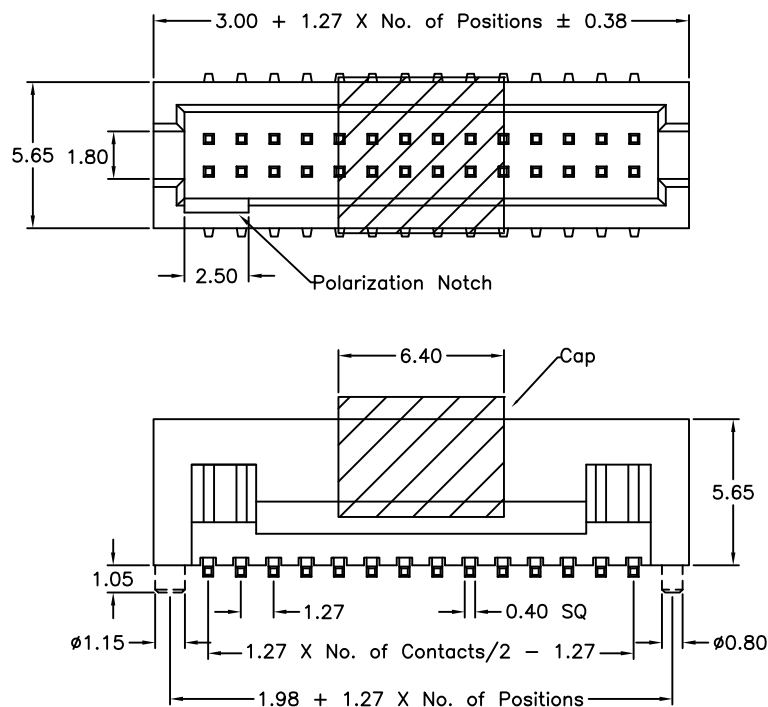
## APPLICATION AND FEATURES

1. Mates with P.C.Board connectors such as 0057D & 0156 series.
2. RoHS compliant.

## SPECIFICATIONS

Current Rating:	1 Amp
Insulator Resistance:	1000 Megohms min.
Contact Resistance:	20 m ohm Max.
Dielectric Withstanding:	300V AC/DC
Operating Temperature:	-40°C to +105°C
Max Processing Temp:	245±5°C for 3-5 seconds
Contact Material:	Brass
Insulator Material:	Nylon 6T, UL 94V-0

Recommended P.C.Board  
Layout



Tolerance: ±0.30mm

## Order Information 0157 Series

Example: 0157 - 40 - 02 - 1 - PT

Series No.	Number of Contacts	Contact Plating	Locating Peg
0157	08 to 100 Contacts	Tin Plated 01	0: W/O Locating Peg
		Gold Plated	1: With Locating Peg
		Flash 02	
		10 μ" 10	
		30 μ" 30	
			Null : Tube
			P : Cap + Tube
			PT: Cap + T&R