

# 2.0mm (0.079") Pin Header

## Board Spacer

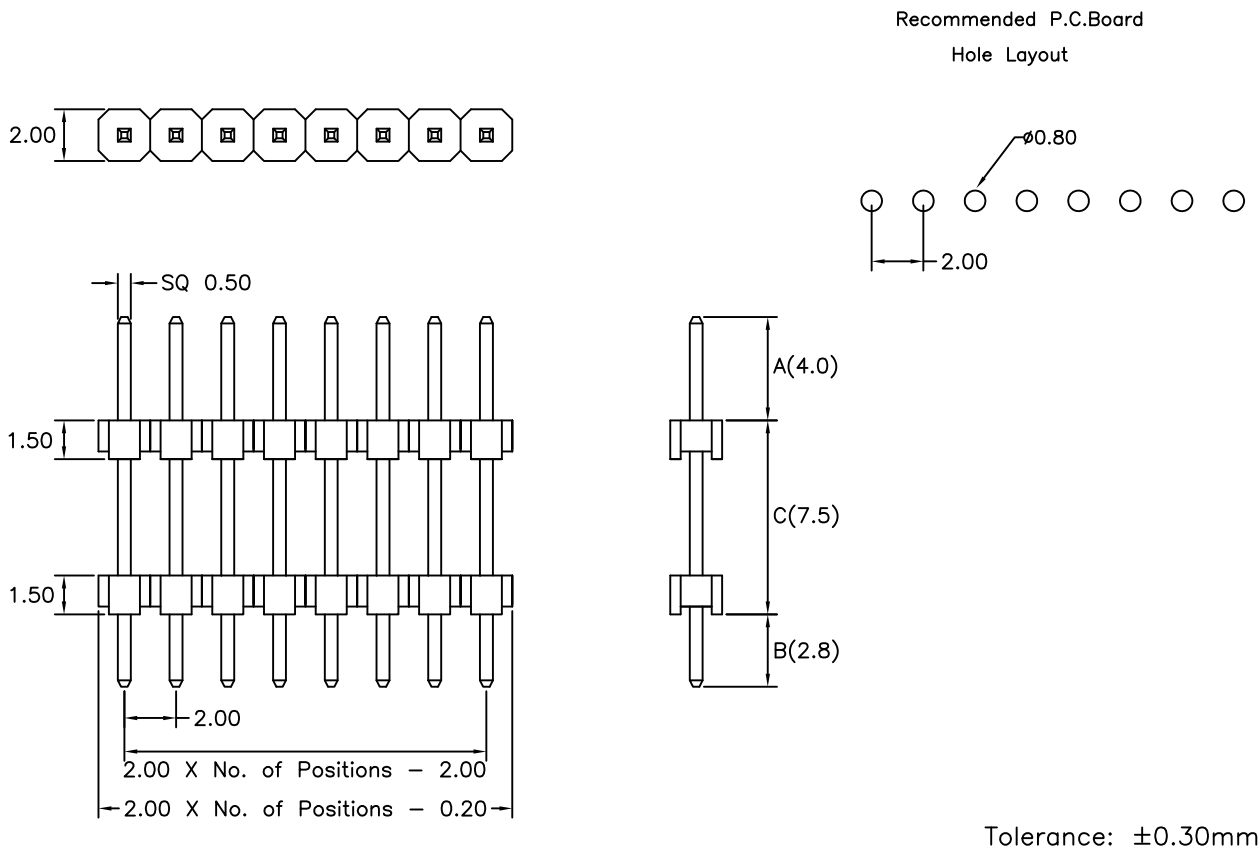
## 1204S-S1 Series

### APPLICATION AND FEATURES

1. Notches for easy breakable.
2. Variable pin length.
3. Standoffs facilitate post soldering clean.
4. Maintain the dimension between two P.C.Boards.
5. RoHS compliant.

### SPECIFICATIONS

Current Rating:	2 Amp
Insulator Resistance:	3000 Megohms min.
Contact Resistance:	20 m ohm Max.
Dielectric Withstanding:	AC 500 V
Operating Temperature:	-40°C to +105°C
Max. Processing Temp.:	245±5°C for 3-5 seconds
Contact Material:	Brass
Insulator Material:	Nylon 6T, UL 94V-0, Black



### Order Information 1204S Series

Example: 1204S-34-S1-02-A/C/B

Series No.	Number of Contacts	Connector Type	Contact Plating	Pin Length mm
1204S	04 to 80 Contacts	Straight S1	Tin Plated 01	A C B
			Gold Plated	4.0 7.5 2.8
			Flash 02	
			10 μ" 10	
			30 μ" 30	