

2.0mm (0.079") Pin Header

Board Spacer

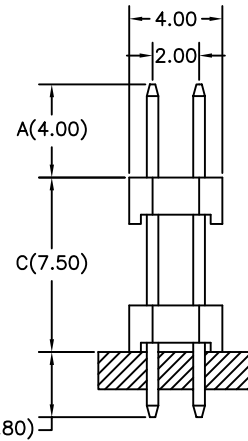
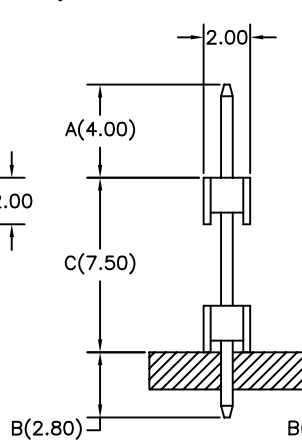
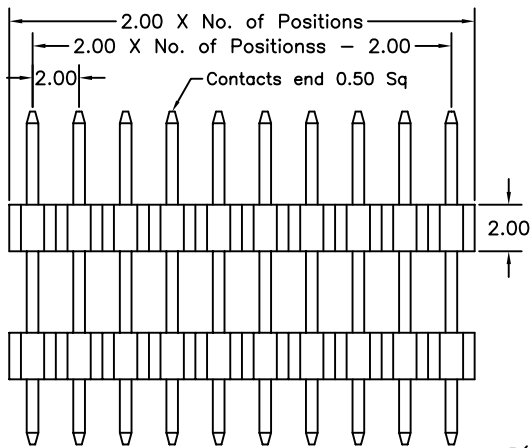
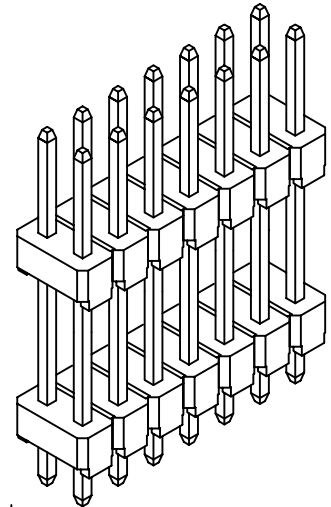
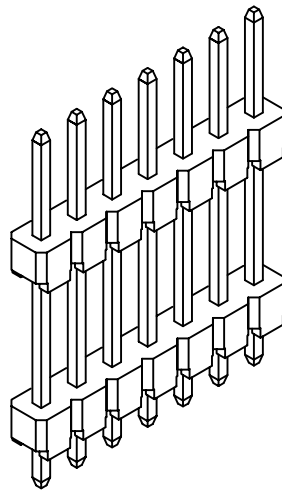
1204X Series

APPLICATION AND FEATURES

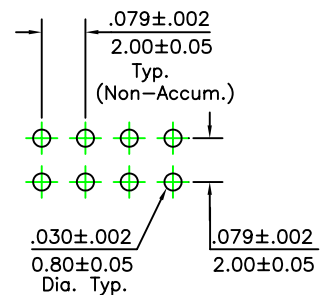
1. Notches for easy breakable.
2. Variable pin length.
3. Standoffs facilitate post soldering clean.
4. Maintain the dimension between two P.C.Boards.
5. RoHS compliant.

SPECIFICATIONS

Current Rating: 1 Amp
 Insulator resistance: 5000 Megohms min.
 Dielectric withstanding: AC 500 V
 Operating Temperature: -40° to +105°C
 Contact Material: Brass
 Insulator Material: Polyester, UL 94V-0
 ©Standard: P.B.T



Recommended P.C.Board Hole Layout



Order Information 1204 Series

Example: 1204S-34-S-02-A/C/B

Series No.	Number of Contacts	Connector Type		Contact Plating			Pin Length mm		
		Straight	S	Tin Plated	01	02	A	C	B
1204S	02 to 80 Contacts			Gold Plated			4.0	7.5	2.8
1204S (Single Row)	02 to 40 Contacts			Flash	02				
1204D (Dual Row)	04 to 80 Contacts			10 μ"	10				
				30 μ"	30				