

# 2.0mm (0.079") SMT Female Header

(Dual Row)

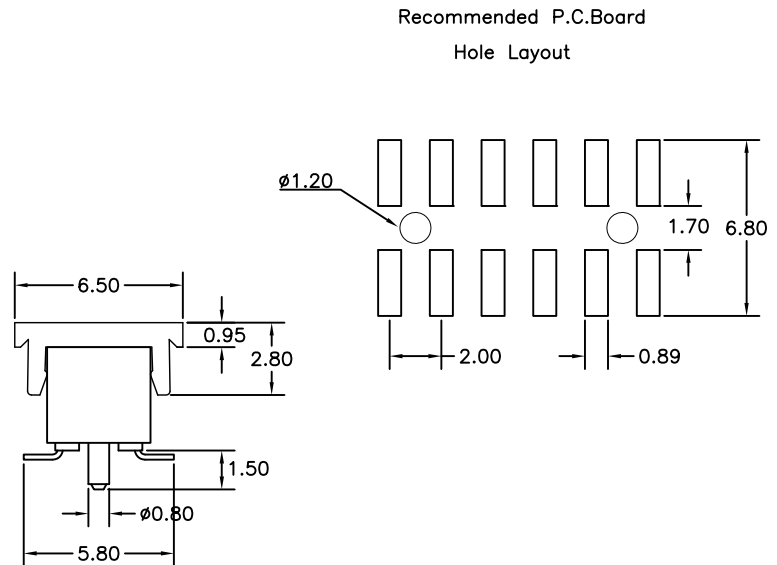
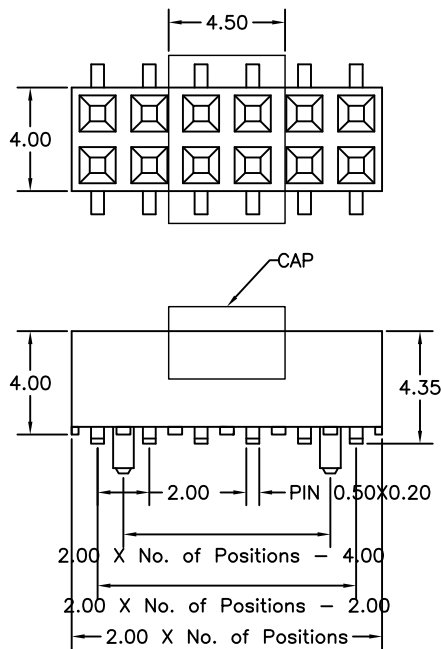
1213M Series

## APPLICATION AND FEATURES

1. Low Profile: 4.0mm height.
2. High quality dual beam phosphor bronze contacts.
3. Designed for board to board small spacing interconnection.
4. Mating with 2.0mm pitch □0.5mm Pin Headers, such as 1202, 1204D, 1205 series.
5. RoHS compliant.

## SPECIFICATIONS

Current Rating:	2 Amp
Insulator Resistance:	3000 Megohms min.
Contact Resistance:	20 m ohm Max.
Dielectric Withstanding:	AC 500V
Operating Temperature:	-40°C to +105°C
Max Processing Temp:	245±5°C for 3-5 seconds
Contact Material:	Phosphor bronze
Insulator Material:	Nylon 6T, UL 94V-0, Black



Tolerance: ±0.30mm

## Order Information 1213M Series

Example: 1213M-20-S1-02-1-PT

Series No.	Number of Contacts	Connector Type	Contact Plating	Null: Tray
1213M	06 to 80 Contacts	4.00mm Base S1	Tin Plated 01	P: Cap+Tray
			Gold Plated	PT: Cap+T&R
			Flash 02	
			10 μ" 10	
			30 μ" 30	