

2.0mm (0.079") SMT Female Header

(Single Row)

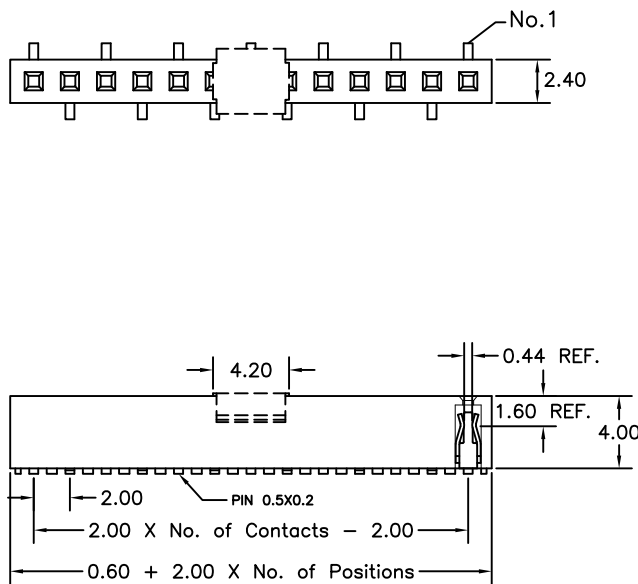
1311 Series

APPLICATION AND FEATURES

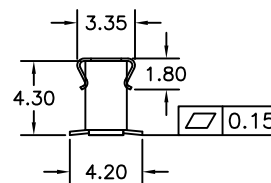
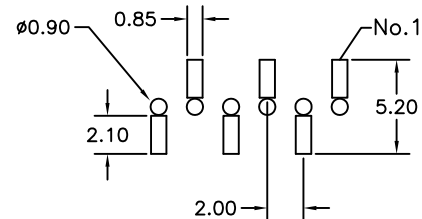
1. Low Profile: 4.3mm height.
2. High quality dual beam phosphor bronze contacts.
3. Mating with 2.0mm pitch 0.5mm Pin Headers, such as 1201 & 1204S series.
4. RoHS compliant.

SPECIFICATIONS

Current Rating:	2 Amp
Insulator Resistance:	1000 Megohms min.
Contact Resistance:	20 m ohm Max.
Dielectric Withstanding:	500V AC
Operating Temperature:	-40°C to +105°C
Max Processing Temp:	230°C for 30 seconds and 260°C for 5 seconds
Contact Material:	Phosphor bronze
Insulator Material:	Nylon 6T, UL 94V-0, Black



Recommended P.C.Board
SMD Layout



Tolerance: ±0.30mm

Order Information 1311 Series

Example: 1311-20-B2-02-PT-G

Series No.	Number of Contacts	Foot Rank Type	Contact Plating	Null: Tube
1311	03 to 40 Contacts	B2	Tin Plated 01	P: Cap+Tube
			Gold Plated	PT: Cap+T&R
			Flash 02	
			10 μ" 10	
			30 μ" 30	