

2.0mm (0.079") SMT Female Header

Top Entry

1416N Series

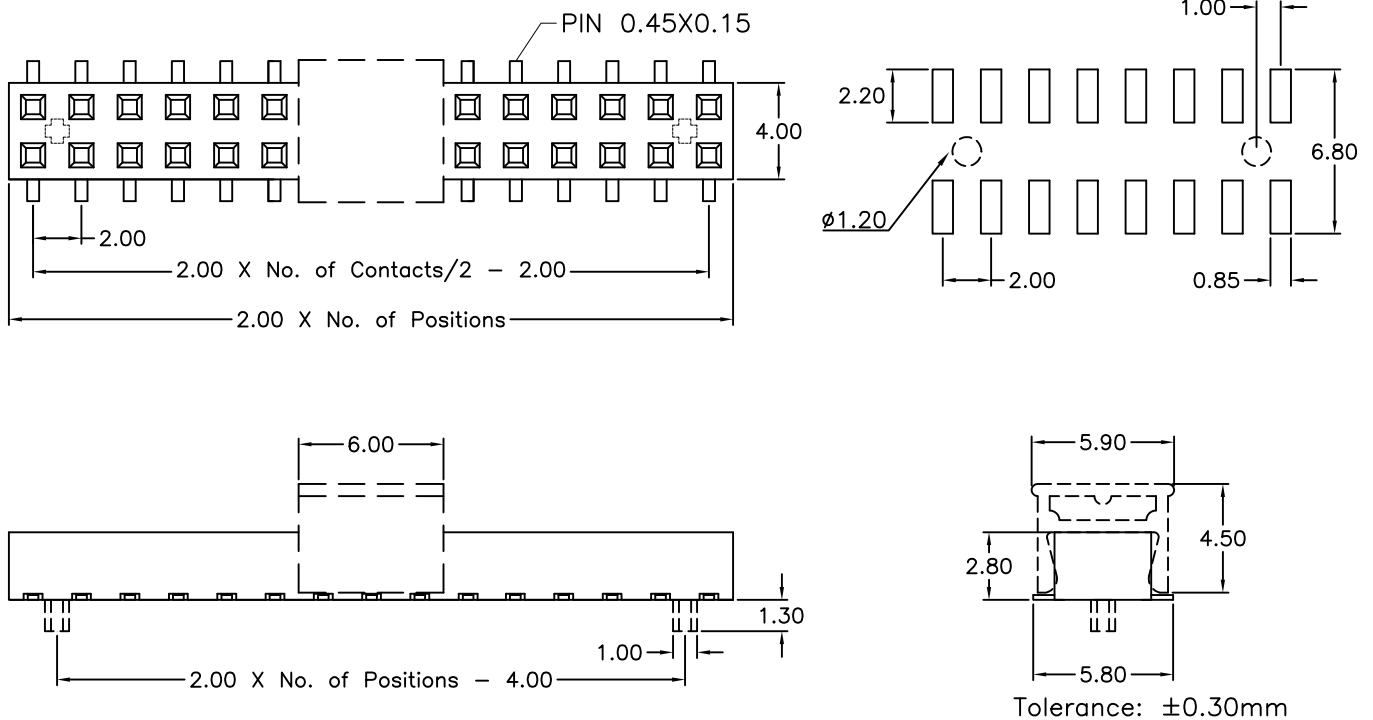
APPLICATION AND FEATURES

1. Low Profile: 2.8mm height.
2. High quality dual beam phosphor bronze contacts.
3. Designed for board to board small spacing interconnection.
4. Mating with 2.0mm pitch □ 0.5mm Pin Headers. such as 1202, 1204D & 1205 series.
5. RoHS compliant.

SPECIFICATIONS

Current Rating: 2 Amp
 Insulator Resistance: 1000 Megohms min.
 Contact Resistance: 20 m ohm Max.
 Dielectric Withstanding: 500V AC/DC
 Operating Temperature: -40°C to +105°C
 Max Processing Temp: 230°C for 30 seconds and 260°C for 5 seconds
 Contact Material: Phosphor bronze
 Insulator Material: Nylon 6T, UL 94V-0

Recommended P.C.B Layout



Order Information 1416N Series

Example: 1416N-20-02-1-PT-G

