

# 2.0mm × 2.0mm (0.079" × 0.079" ) IDC DIP Connector

## For 1.0mm Pitch Flat Ribbon Cable

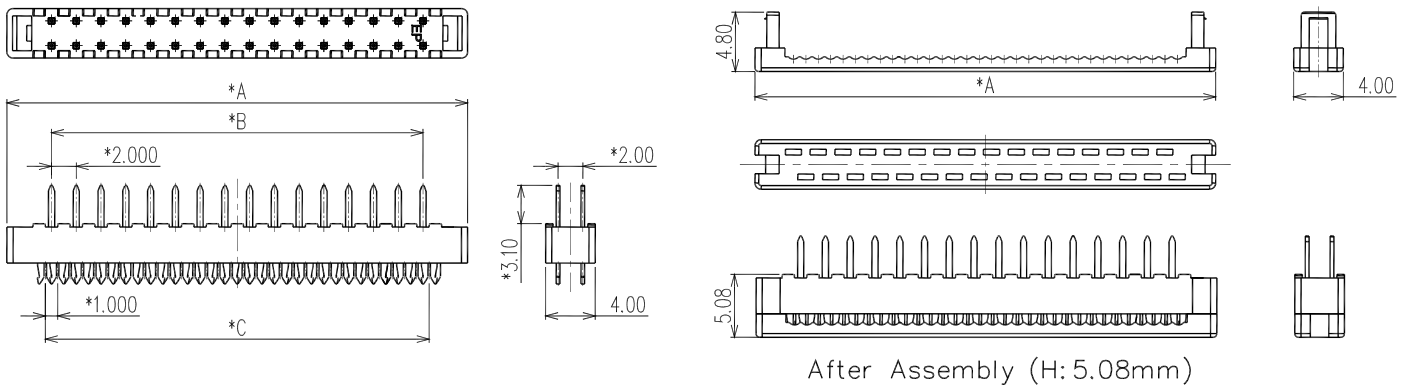
### 1609A Series

#### APPLICATION AND FEATURES

1. A low cost solution to attaching a ribbon cable to a P.C.Board (Replaces as socket/header combination)
2. Low-profile for saving space (5.2mm after assembly)
3. Available with straight dip solder tails 2.0X2.0mm
4. Is permanently soldered into P.C.Board with "header" foot.
5. Wire size flat cable I.D.C.: 1.0mm pitch  
AWG#28(standard) or #30(solid)
6. RoHS compliant.

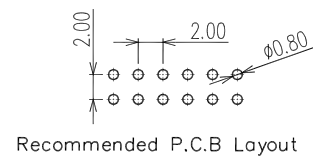
#### SPECIFICATIONS

Current Rating:	1 Amp
Insulator Resistance:	1000 Megohms min.
Contact Resistance:	30 m ohm Max.
Withstanding Voltage:	500V AC
Operating Temperature:	-40°C to +105°C
Contact Material:	Phosphor bronze
Insulator Material:	PBT with Glass Fiber
	UL 94V-0, Black



No. of Positions

No.	A	B	C	No.	A	B	C	No.	A	B	C
6	11.20	4.00	5.00	20	25.20	18.00	19.00	40	45.20	38.00	39.00
8	13.20	6.00	7.00	22	27.20	20.00	21.00	44	49.20	42.00	43.00
10	15.20	8.00	9.00	24	29.20	22.00	23.00	50	55.20	48.00	49.00
12	17.20	10.00	11.00	26	31.20	24.00	25.00	60	65.20	58.00	59.00
14	19.20	12.00	13.00	28	33.20	26.00	27.00	68	73.20	66.00	67.00
16	21.20	14.00	15.00	30	35.20	28.00	29.00				
18	23.20	16.00	17.00	34	39.20	32.00	33.00				



Tolerance: ±0.30mm

### Order Information 1609A Series

Example: 1609A-20-02

Series No.

1609A

Number of Contacts

6,8,10,12,14,16,18,20,  
22,24,26,28,30,34,40,  
44,50,60,68

Contact Plating

02

Contact Area: Gold Flash

Other Area: Nickel