

2.0mm (0.079") SMT Female Header

(Double Row)

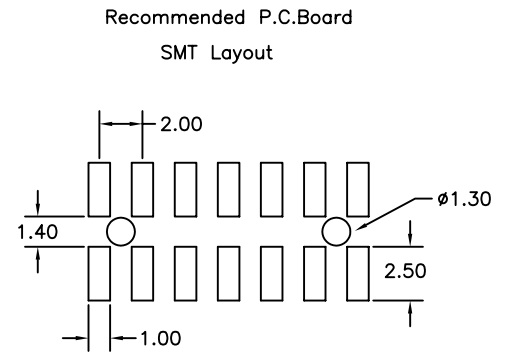
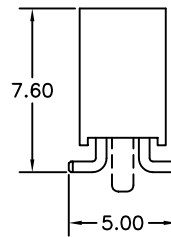
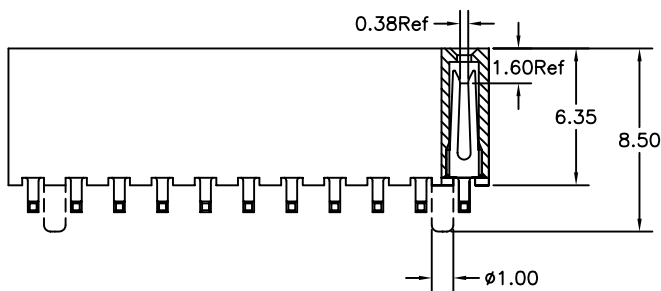
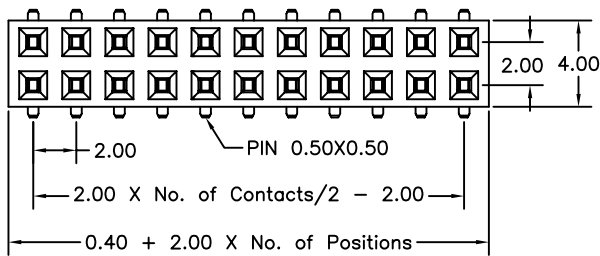
1731M Series

APPLICATION AND FEATURES

1. Profile: 6.8mm height.
2. High quality phosphor bronze contacts.
3. Designed for board to board small spacing interconnection.
4. Mating with 2.0mm pitch □ 0.5mm Pin Headers. such as 1202, 1204D & 1205 series.
5. RoHS compliant.

SPECIFICATIONS

Current Rating:	2 Amp
Insulator resistance:	1000 Megohms min.
Contact resistance:	20 m ohm Max.
Dielectric withstanding:	500VAC
Operating Temperature:	-55° to +105°C
Max Processing Temp:	230°C for 30 seconds (260°C for 5 seconds)
Contact Material:	Phosphor bronze
Insulator Material:	High Temperature Thermoplastic, UL 94V-0



Order Information 1731M Series

Example: 1731M-20-S-02-0-G

Series No.	Number of Contacts	Connector Type	Contact Plating	Locating Peg
1731M	10 to 80 Contacts	Straight S	Tin Plated 01	W/O Locating peg 0
			Gold Plated	With Locating peg 1
			Flash 02	
			10 μ" 10	
			30 μ" 30	