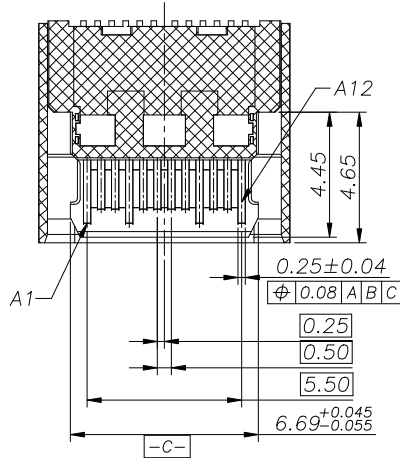
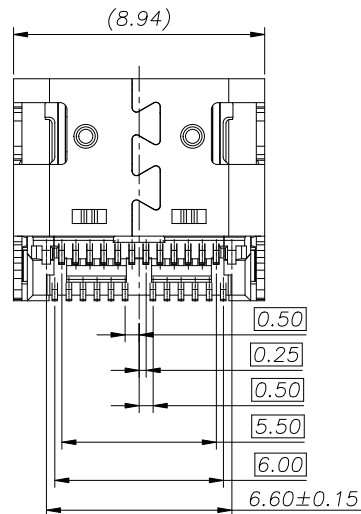
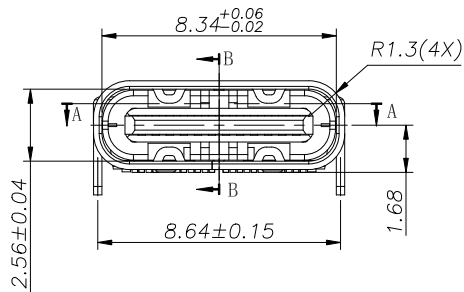
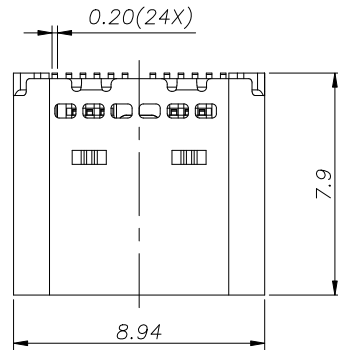
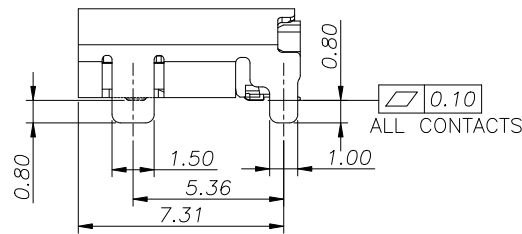




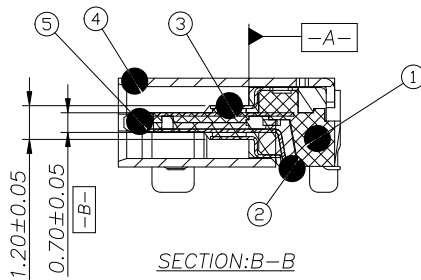
RoHS Compliant HSF
2013/95/EC



SECTION: A-A



SECTION: B-B



- NOTE:
- MATERIAL SPECIFICATION:
 - HOUSING: HIGH TEMPERATURE RESISTANT PLASTIC, WITH 30% GLASS FILLED, UL94 V-0 BLACK.
 - CONTACTS: COPPER ALLOY
 - EMI SPRING: STAINLESS STEEL
 - FRONT SHELL: STAINLESS STEEL
 - MIDDLE BLADE: STAINLESS STEEL
 - PLATING SPECIFICATION:
 - CONTACTS: Ni 50u" MIN. UNDER PLATED OVER ALL. 30u" Au PLATED ON THE FUNCTIONAL AREA OF CONTACT. Au GOLD FLASH PLATED ON SOLDER AREA.
 - EMI SPRING: CLEANING ONLY
 - FRONT SHELL: Ni 50u" MIN. UNDER PLATED OVER ALL.
 - MIDDLE BLADE: Ni 40u" MIN. UNDER PLATED OVER ALL. TIN 80u" MIN PLATED ON SOLDER AREA.
 - MECHANICAL PERFORMANCE,
 - INSERTION FORCE: 0.5~2.0kgf.
 - REMOVAL FORCE: 0.8kgf~2.0kgf.
 - DURABILITY: 10000 CYCLES.
 - ELECTRICAL PERFORMANCE,
 - CURRENT RATING: 5.0A VOLTAGE RATING: 5.0V
 - LLCR: VBUS & GND PINS AND OTHER PINS: 40mΩ/PIN MAX. SHIELD: 50mΩ/MAX. LLCR MAX. CHANGE OF ALL PINS: 10mΩ.
 - INSULATION RESISTANCE: 100MΩ MIN
 - DIELECTRIC WITHSTAND VOLTAGE, AC 100V FOR 1 MINUTE.
 - ENVIRONMENTAL PERFORMANCE: OPERATING TEMPERATURE: -25°C~+85°C.
 - IR REFLOW: THE PEAK TEMPERATURE ON THE BOARD SHALL BE MAINTAINED FOR 10 SECONDS AT 260°C.

TOLERANCES UNLESS OTHERWISE SPECIFIED

UNIT	(MM)
X.	±0.50
X.X	±0.30
X.XX	±0.20
X.XXX	±0.10
ANGEL	±2°

Singatron Enterprise Co., Ltd.

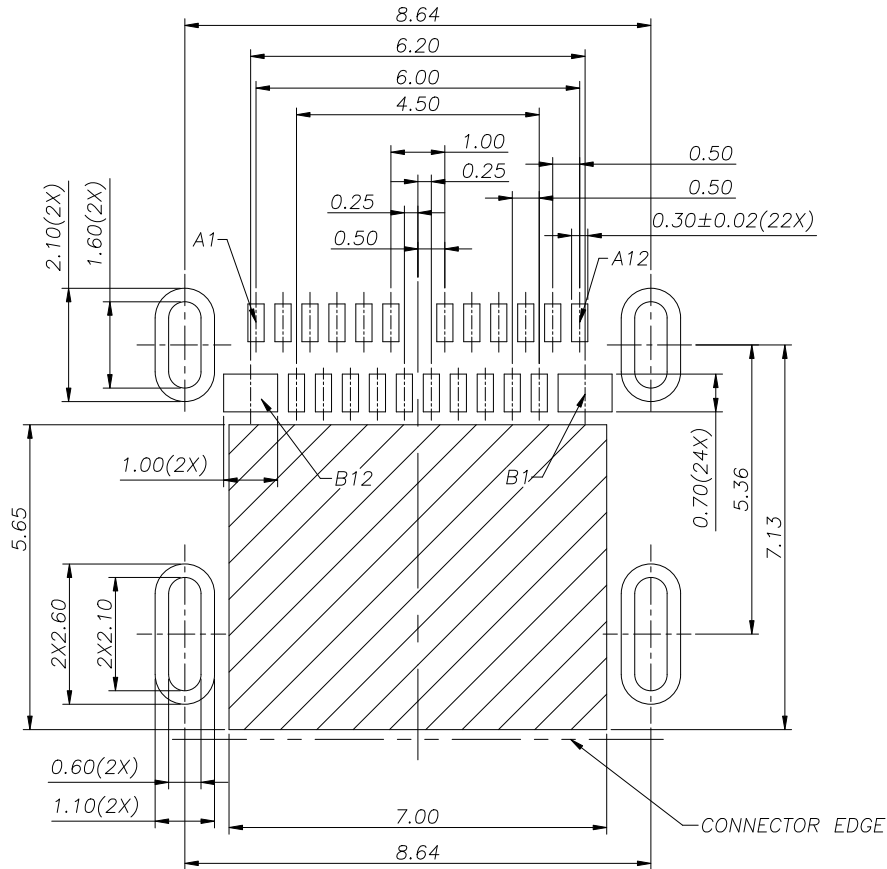
TITLE	USB C F 双排板上SMT无柱有凸包		
DWN	Leiny	PART NO.	2UB1186-321A3-23A
CHKD	2015.07.02	SCALE	1:1 UNIT: mm
APVD		SIZE: A3	SHEET: 1/3 REV: A

CUSTOMER COPY

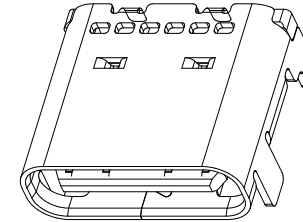
REV.	DESCRIPTION	ECN NO.	DWN.	CHK.	APVD.	DATE
A	NEW DAWING	ECN NO.	Leiny	Chain	DC	2015.07.02



RoHS Compliant HSF
2013/95/EC



RECOMMENDED PCB LAYOUT(TOP VIEW)
DEFAULT TOLERANCE:±0.05



USB TYPE-C PIN ASSIGNMENTS

PIN NUMBER	SIGNAL NAME	PIN NUMBER	SIGNAL NAME
A1	GND	B12	GND
A2	SSTXp1	B11	SSRXp1
A3	SSTXn1	B10	SSRXn1
A4	Vbus	B9	Vbus
A5	CC1	B8	SBU2
A6	Dp1	B7	Dn2
A7	Dn1	B6	Dp2
A8	SBU1	B5	CC2
A9	Vbus	B4	Vbus
A10	SSRXn2	B3	SSTXn2
A11	SSRXp2	B2	SSTXp2
A12	GND	B1	GND

REV.	DESCRIPTION	ECN NO.	DWN.	CHK.	APVD.	DATE
A	NEW DAWING	ECN NO.	Leiny	Chain	DC	2015.07.02

TOLERANCES UNLESS OTHERWISE SPECIFIED

UNIT	(MM)
X.	±0.50
X.X	±0.30
X.XX	±0.20
X.XXX	±0.10
ANGEL	±2°

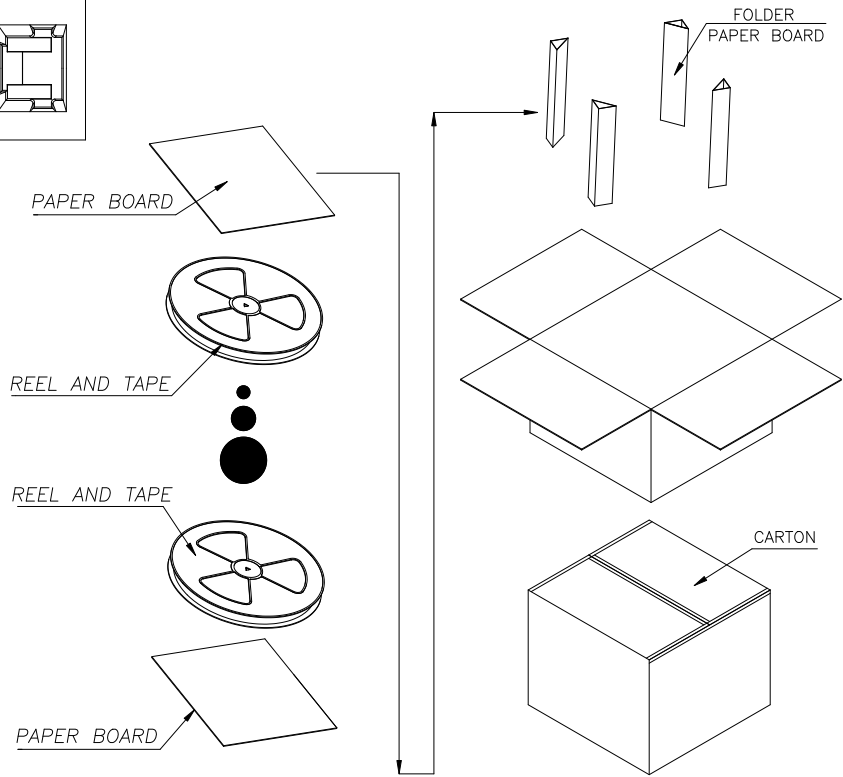
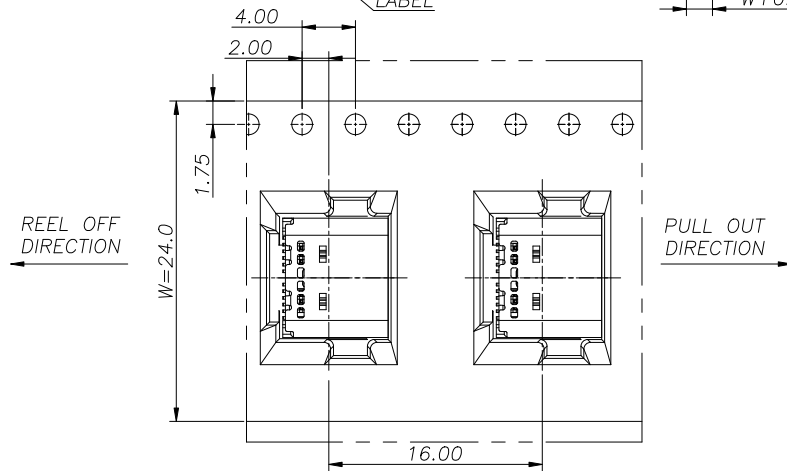
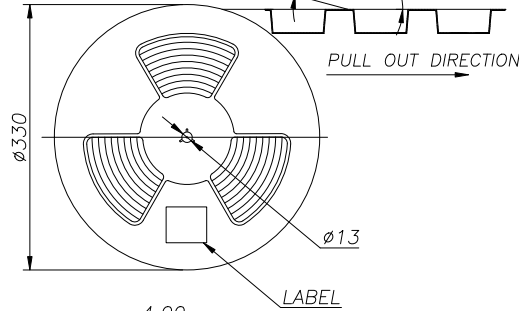
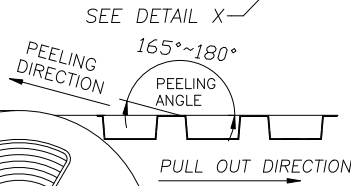
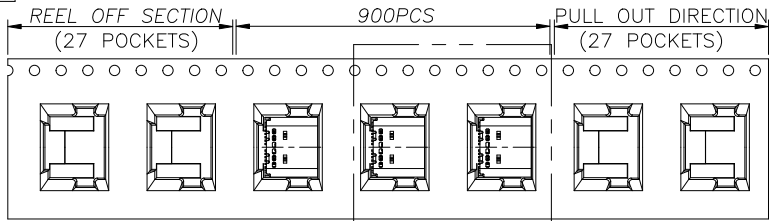
Singatron Enterprise Co., Ltd.

TITLE	USB C F 双排板上SMT无柱有凸包		
DWN	Leiny	PART NO.	2UB1186-321A3-23A
CHKD	2015.07.02	SCALE 1:1	UNIT: mm
APVD		SIZE: A3	SHEET: 2/3

CUSTOMER COPY



RoHS Compliant HSF
2013/95/EC



	REEL	CARTON
CONNECTOR (PCS)	900	9000

A	NEW DARWING	ECN NO.	Leiny	Chain	DC	2015.07.02
REV.	DESCRIPTION	ECN NO.	DWN.	CHK.	APVD.	DATE

TOLERANCES UNLESS OTHERWISE SPECIFIED

UNIT	(MM)
X.	±0.50
X.X	±0.30
X.XX	±0.20
X.XXX	±0.10
ANGEL	±2°

Singatron Enterprise Co., Ltd.

TITLE	USB C F 双排板上SMT无柱有凸包		
DWN	Leiny	PART NO.	2UB1186-321A3-23A
CHKD	2015.07.02	SCALE 1:1	UNIT: mm
APVD		SIZE: A3	SHEET: 1/3

CUSTOMER COPY