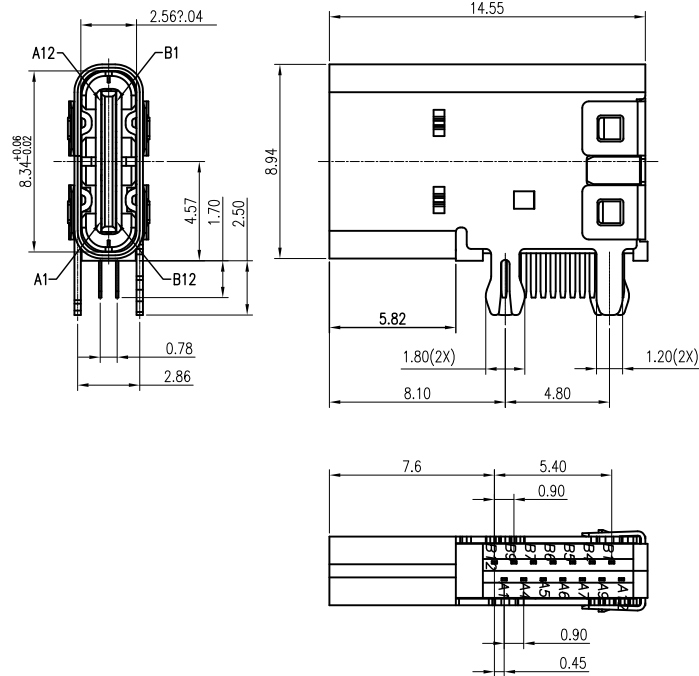




**RoHS Compliant HSF**  
2013/95/EC



NOTE:

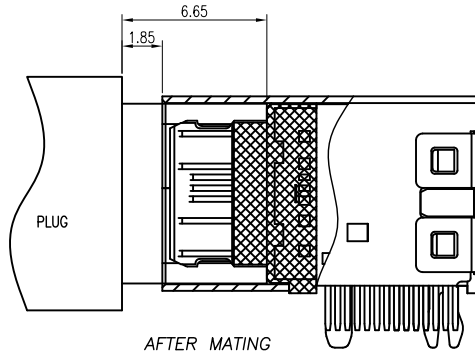
- MATERIAL SPECIFICATION:
  - HOUSING: LCP, UL94 V-0.
  - CONTACTS: COPPER ALLOY (C1814)
  - MID PLATE: STAINLESS STEEL (SUS301)
  - FRONT SHELL: STAINLESS STEEL (SUS304)
  - EMI PLATE: STAINLESS STEEL (SUS304)
- PLATING SPECIFICATION:
  - CONTACTS:
    - Ni 50u" MIN. UNDER PLATED OVER ALL.
    - Au PLATED ON THE FUNCTIONAL AREA OF CONTACT.
    - (GOLD PLATING THICKNESS FOLLOW THE P/N)
    - PLATING SPECIFICATIONS OF THE SOLDER AREA FOLLOW THE P/N
  - FRONT SHELL:
    - Ni 30u" MIN. UNDER PLATED OVER ALL.
  - MID PLATE & EMI PLATE:
    - CLEAR ONLY
- MECHANICAL PERFORMANCE,
  - INSERTION FORCE: 0.5~2.0kgf.
  - REMOVAL FORCE: 0.8kgf~2.0kgf.
  - DURABILITY: 10000 CYCLES.
- ELECTRICAL PERFORMANCE,
  - CURRENT RATING: 5.0A  
VOLTAGE RATING: 5.0V
  - LLCR:
    - VBUS & GND PINS AND OTHER PINS: 40mΩ/PIN MAX.
    - SHIELD: 50mΩ/MAX.
    - LLCR MAX. CHANGE OF ALL PINS: 10mΩ.
  - INSULATION RESISTANCE: 100MΩ MIN
  - DIELECTRIC WITHSTAND VOLTAGE, AC 100V FOR 1 MINUTE.
- ENVIRONMENTAL PERFORMANCE:
  - OPERATING TEMPERATURE: -25~+85?
- IR REFLOW:
  - THE PEAK TEMPERATURE ON THE BOARD SHALL BE MAINTAINED FOR 10 SECONDS AT 260°C.
- PART NUMBER:
  - 2UB1186-86X10-X3A
  - 2: Tape reel
  - 1: G/F 2: 5u" 3: 10u" 4: 15u" 5: 30u"
  - GOLD PLATED OVER NICKEL ON CONTACT AREA
  - AND 6u" MIN GOLD PLATED OVER NICKEL ON SOLDER TAILS

TOLERANCES UNLESS OTHERWISE SPECIFIED	
UNIT	(MM)
X.	±0.50
X.X	±0.30
X.XX	±0.20
ANGEL	
X	±2'
X.X	±2'

Singatron Enterprise Co., Ltd.			
TITLE	USB C F 14PIN FLAG TYPE		
DWN	Leiny	PART NO. 2UB1186-86X10-23A	
CHKD	2018.03.18	SCALE 1:1	UNIT: mm
APVD		SIZE: A3	SHEET: 1/2
REV: A			
CUSTOMER COPY			

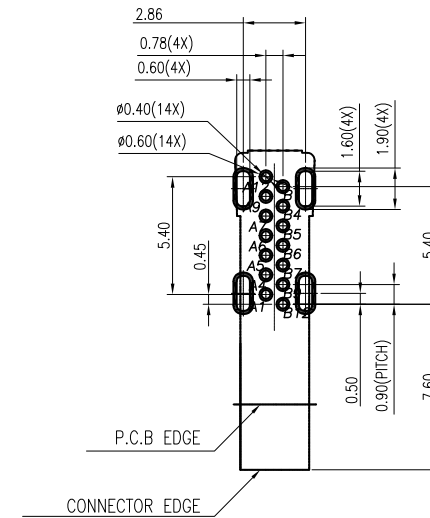


**RoHS Compliant HSF**  
2013/95/EC



USB TYPE-C PIN ASSIGNMENTS

PIN NUMBER	SIGNAL NAME	PIN NUMBER	SIGNAL NAME
A1	GND	B12	GND
A4	VBUS	B9	VBUS
A5	CC1		
A6	Dp1	B7	Dn2
A7	Dn1	B6	Dp2
		B5	CC2
A9	VBUS	B4	VBUS
A12	GND	B1	GND



RECOMMENDED PCB LAYOUT(TOP VIEW)  
THICKNESS 1.6±.10MM;DEFAULT TOLERANCE:±.05

TOLERANCES UNLESS OTHERWISE SPECIFIED

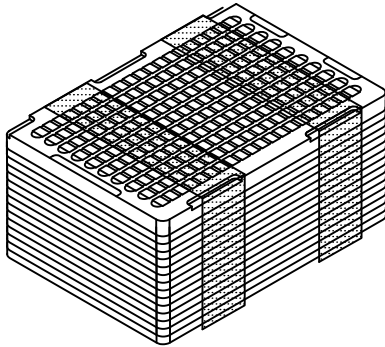
UNIT	(MM)
X.	±0.50
X.X	±0.30
X.XX	±0.20
ANGEL	
X	±2'
X.X	±2'

Singatron Enterprise Co., Ltd.

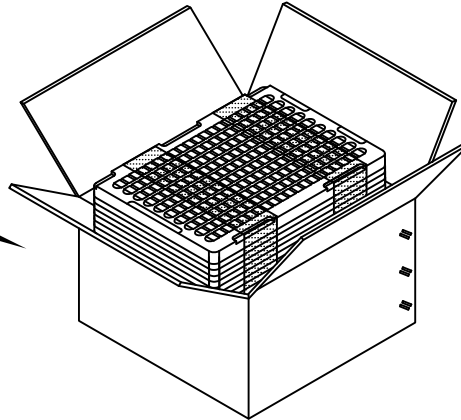
TITLE	USB C F 14PIN FLAG TYPE		
DWN	Leiny	PART NO.	2UB1186-86X10-23A
CHKD	2018.03.18	SCALE 1:1	UNIT: mm
APVD		SIZE: A3	SHEET: 2/2
REV: A			
<b>CUSTOMER COPY</b>			



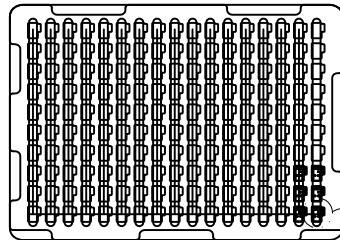
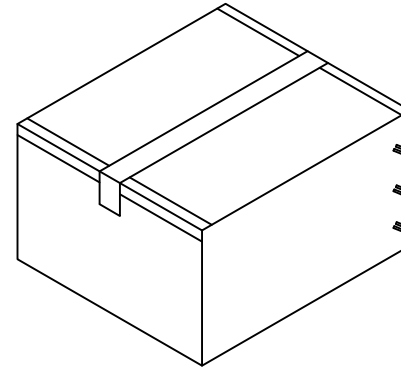
**RoHS Compliant HSF**  
2013/95/EC



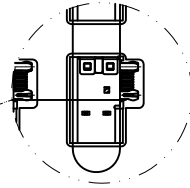
EACH BUNDLE WITH 40 LAYERS



EACH CARTON WITH 6800 PCS PRODUCTS



170 PCS/TRAY



	TRAY	CARTON
CONNECTOR (PCS)	170	6800

TOLERANCES UNLESS OTHERWISE SPECIFIED

UNIT	(MM)
X.	±0.50
X.X	±0.30
X.XX	±0.20
ANGEL	
X	±2'
X.X	±2'

Singatron Enterprise Co., Ltd.

TITLE	USB C F 14PIN FLAG TYPE		
DWN	Leiny	PART NO. 2UB1186-86X10-23A	
CHKD	2018.03.18	SCALE 1:1	UNIT: mm
APVD		SIZE: A3	SHEET: /2

CUSTOMER COPY