

2.54mm (0.1") Pin Header

(Single Row, Straight and Right Angle)

2201-HT Series

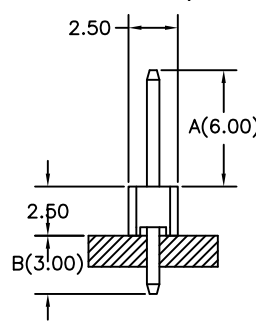
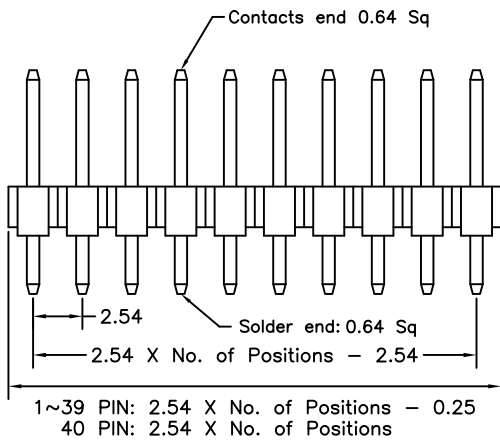
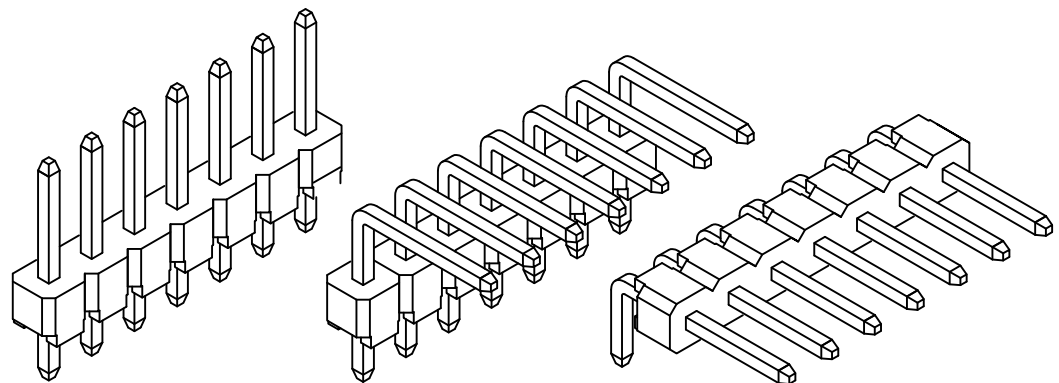
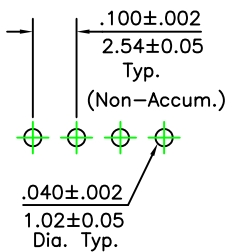
APPLICATION AND FEATURES

1. Side and end stackable (on unbroken edges).
2. Notches for easy breakable.
3. Variable pin length, gold or tin plated.
4. Standoffs facilitate post soldering clean.
5. Mate with Mini Jumper and P.C.Board connectors such as 2211, 2212, 2214, 2215 & 2206 series.
6. RoHS compliant.

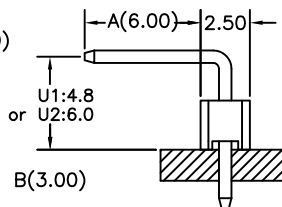
SPECIFICATIONS

Current Rating:	3 Amps
Insulator Resistance:	5000 Megohms min.
Dielectric Withstanding:	AC 500 V
Operating Temperature:	-40°C to +105°C
Max. Processing Temp:	245±5°C for 3-5 seconds
Contact Material:	Brass
Insulator Material:	Polyester, UL 94V-0
	©Standard: Nylon-6T

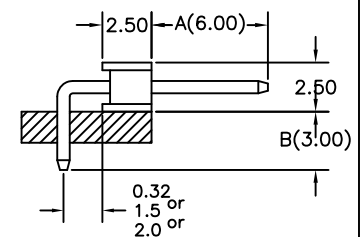
Recommended P.C.Board
Hole Layout



S Type



U Type



D Type

Tolerance : ±0.30mm

Order Information 2201 Series

Example: 2201-34-S-02-A/B-HT

Series No.	Number of Contacts	Connector Type		Contact Plating		Pin Length mm	
						A	B
2201	01 to 40 Contacts	Straight	S	Tin Plated	01	6.0	3.0
		Up Angle	U1	Gold Plated	02		
		4.8mm	U2	Flash	10		
		6.0mm		10 μ"	30		
		Down Angle	D1	30 μ"			
		1.5mm	D2				
		2.0mm	D3				
		0.32mm					