

2.54mm (0.1") Pin Header

(Single Row, Straight and Right Angle)

2201 Series

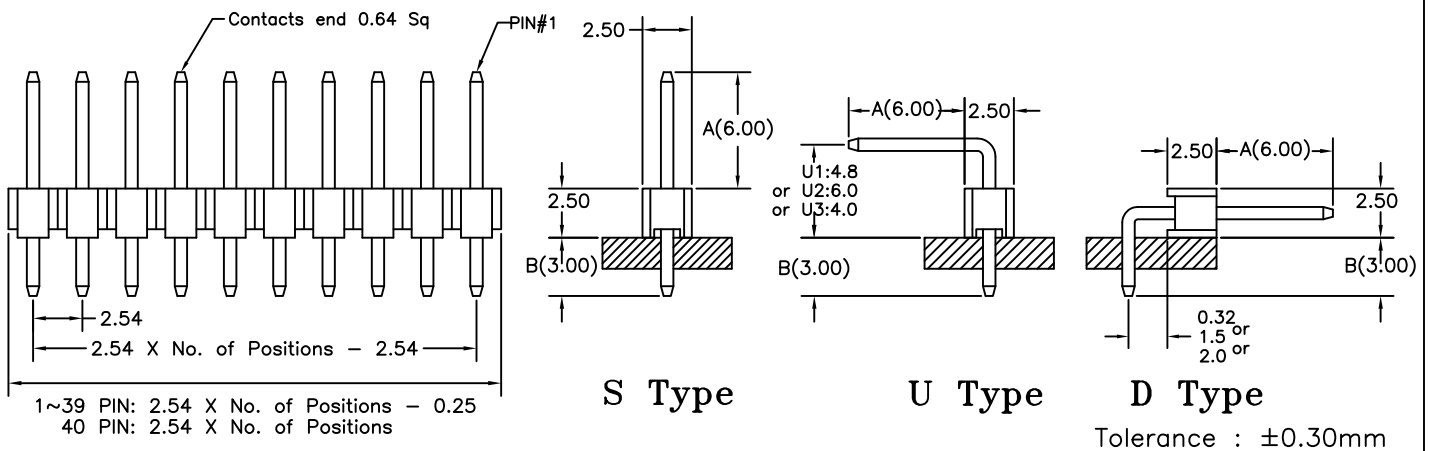
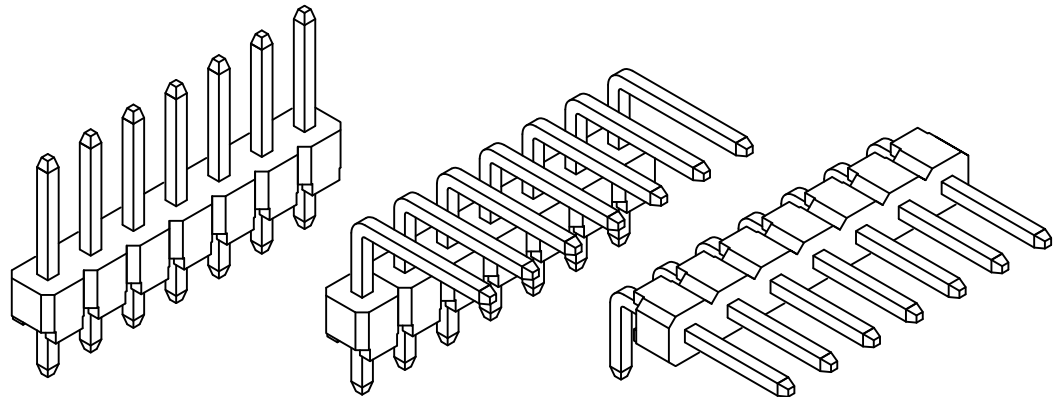
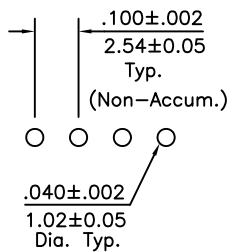
APPLICATION AND FEATURES

1. Notches for easy breakable.
2. Variable pin length.
3. Standoffs facilitate post soldering clean.
4. Mate with Mini Jumper and P.C.Board connectors such as 2211, 2212, 2214, 2215 & 2206 series.
5. RoHS compliant.

SPECIFICATIONS

Current Rating: 3 Amps
 Insulator Resistance: 5000 Megohms min.
 Dielectric Withstanding: AC 500 V
 Operating Temperature: -40°C to +105°C
 Contact Material: Brass
 Insulator Material: Polyester, UL 94V-0
 ©Standard: P.B.T

Recommended P.C.Board
Hole Layout



Order Information 2201 Series

Example: 2201-34-S-02-A/B

Series No.	Number of Contacts	Connector Type	Contact Plating	Pin Length mm
2201	01 to 40 Contacts	Straight S Up Angle 4.8mm U1 6.0mm U2 4.0mm U3 Down Angle 1.5mm D1 2.0mm D2 0.32mm D3	Tin Plated 01 Gold Plated Flash 02 10 μ " 10 30 μ " 30	A B 6.0 3.0