

# 2.54mm (0.1") Pin Header

(Dual Row, Straight and Right Angle)

2202-HT Series

## APPLICATION AND FEATURES

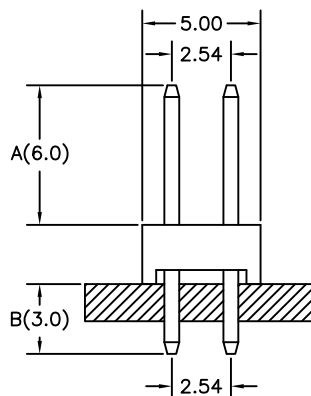
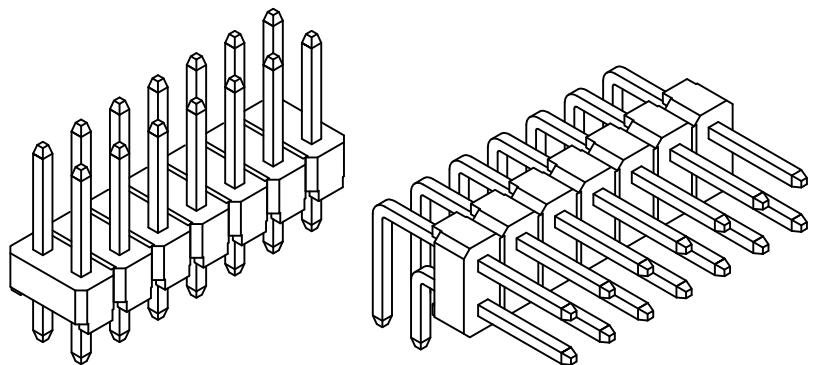
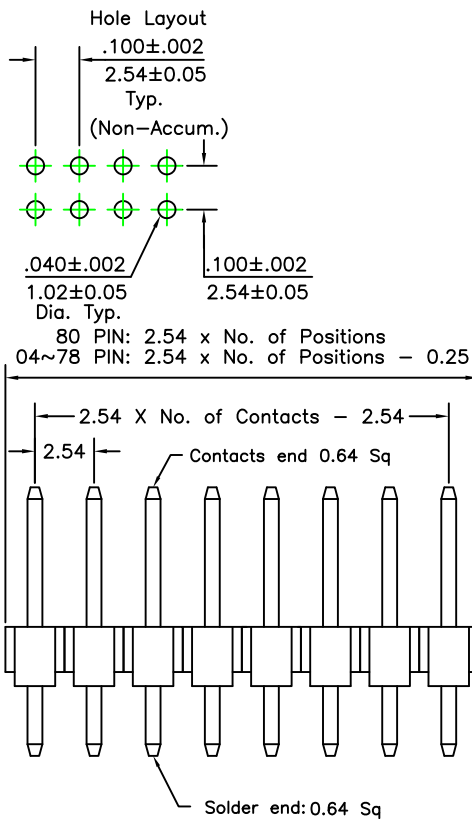
1. Side and end stackable (on unbroken edges).
2. Notches for easy breakable.
3. Mate with Mini Jumper and P.C.Board socket connectors such as 2221, 2222, 2223, 2225, 2226 & 2206 series.
4. RoHs compliant.

## SPECIFICATIONS

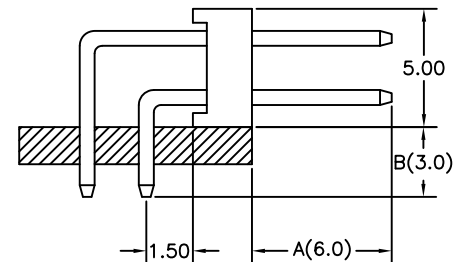
Current Rating: 3 Amps  
 Insulator Resistance: 5000 Megohms min.  
 Dielectric Withstanding: AC 500 V  
 Operating Temperature: -40°C to +105°C  
 Max. Processing Temp: 230°C for 30 seconds and 260°C for 5 seconds

Contact Material: Brass  
 Insulator Material: Polyester, UL 94V-0  
 ©Standard: Nylon-6T

### Recommended P.C.Board



S Type



R Type

Tolerance :  $\pm 0.30\text{mm}$

## Order Information 2202-HT Series

Example: 2202 - 20 - S - 02 - A/B - HT

Series No.	Number of Contacts	Connector Type	Contact Plating	Pin Length mm
2202	04 to 80 Contacts	Straight S	Tin Plated 01	A 6.0 B 3.0
		Right Angle	Gold Plated	
		1.5mm R1	Flash 02	
		2.0mm R2	10 $\mu$ " 10	
			30 $\mu$ " 30	