

2.54mm (0.1") Pin Header

(Dual Row, Straight and Right Angle)

2202 Series

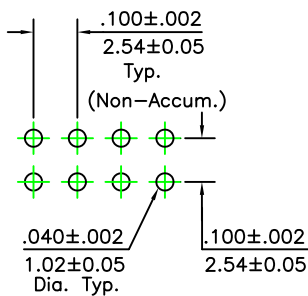
APPLICATION AND FEATURES

1. Notches for easy breakable.
2. Mate with Mini Jumper and P.C.Board socket connectors such as 2221, 2222, 2223, 2225, 2226 & 2206 series.
3. RoHS compliant.

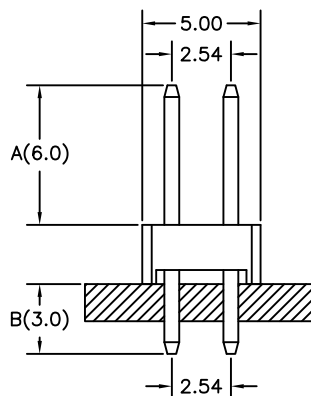
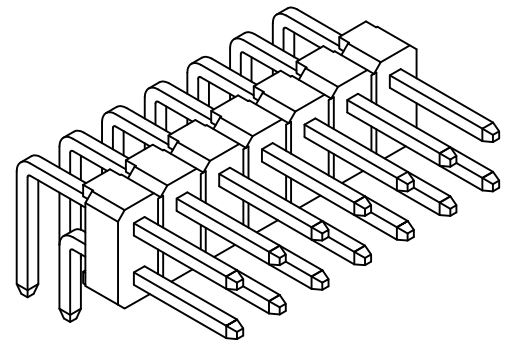
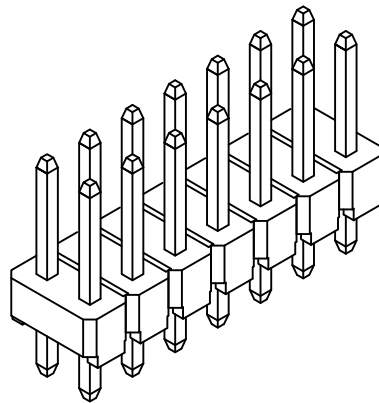
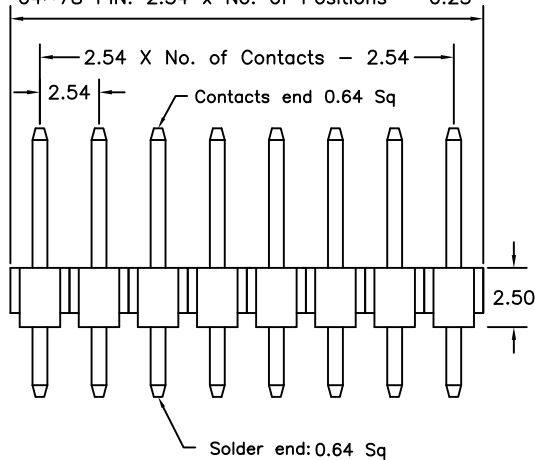
SPECIFICATIONS

Current Rating: 3 Amps
 Insulator Resistance: 5000 Megohms min.
 Dielectric Withstanding: AC 500 V
 Operating Temperature: -25°C to +85°C
 Contact Material: Brass
 Insulator Material: Polyester, UL 94V-0
 ©Standard: P.B.T

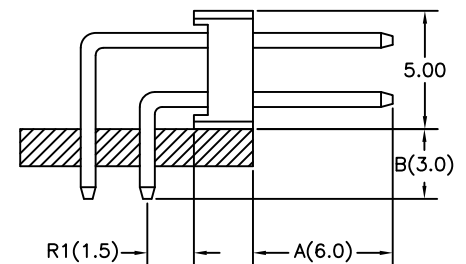
Recommended P.C.Board
Hole Layout



80 PIN: 2.54 X No. of Positions
 04~78 PIN: 2.54 x No. of Positions - 0.25



S Type



R Type

Tolerance : $\pm 0.30\text{mm}$

Order Information 2202 Series

Example: 2202 - 20 - S - 02 - A/B

Series No.	Number of Contacts	Connector Type	Contact Plating	Pin Length mm
2202	04 to 80 Contacts	Straight S	Tin Plated 01	A B
		Right Angle	Gold Plated	6.0 3.0
		1.5mm R1	Flash 02	
		2.0mm R2	10 μ " 10	
		2.61mm R3	30 μ " 30	