

# 2.54mm (0.1") Pin Header

(Dual Row, Straight & Right Angle)

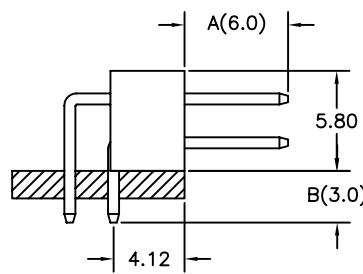
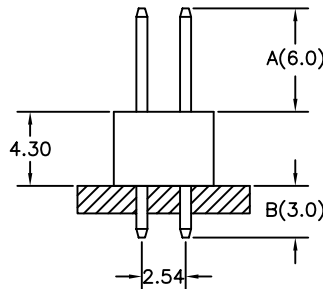
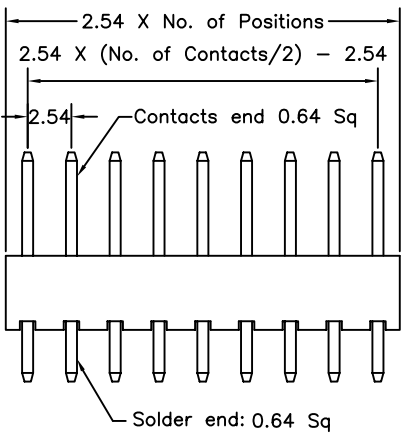
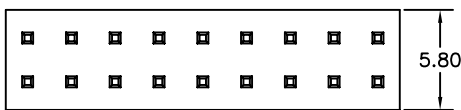
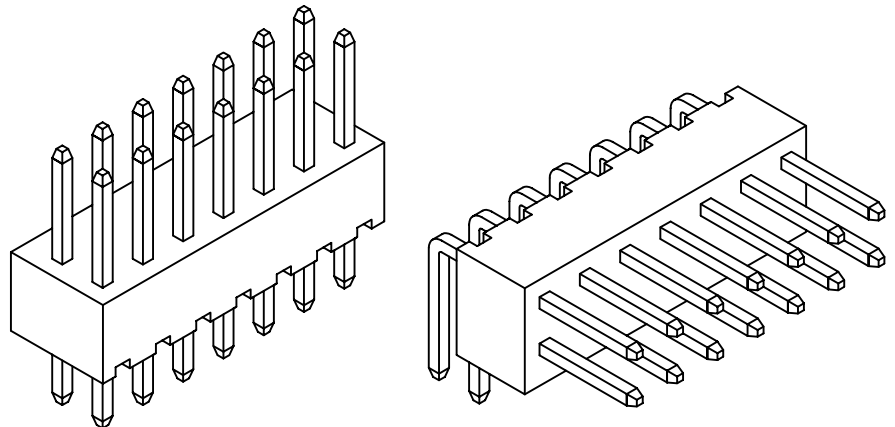
2205 Series

## APPLICATION AND FEATURES

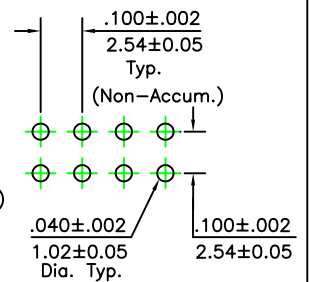
1. Variable pin length.
2. Mate with P.C.Board connectors such as 2206, 2221, 2222, 2223, 2225, 2226 & 2227 series.
3. RoHS compliant.

## SPECIFICATIONS

Current Rating: 3 Amps  
 Insulator resistance: 1000 Megohms min.  
 Dielectric withstanding: 600V AC/DC  
 Operating Temperature: -40° to +105°C  
 Contact Material: Brass  
 Insulator Material: Polyester, UL 94V-0  
 ©Standard: P.B.T



Recommended P.C.Board Hole Layout



## Order Information 2205 Series

Example: 2205 - 34 - S - 02 - A/B - G

Series No.	Number of Contacts	Connector Type	Contact Plating	Pin Length mm
2205	06 to 80 Contacts	Straight S Right Angle R	Tin Plated 01 Gold Plated Flash 02 10 μ" 10 30 μ" 30	A 6.0 B 3.0