

2.54mm (0.1") Female Header

(Single Row, Straight & Right Angle)

2212 Series

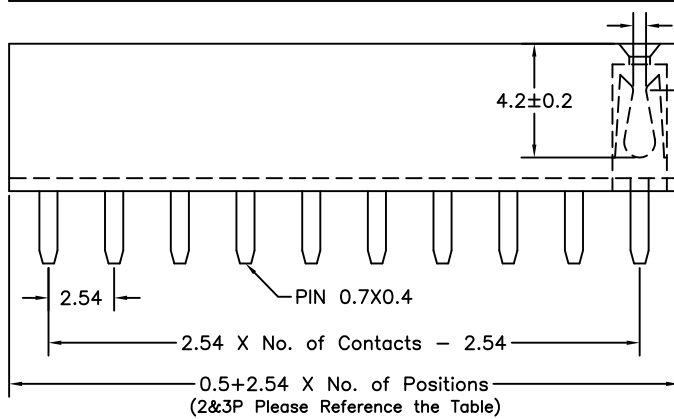
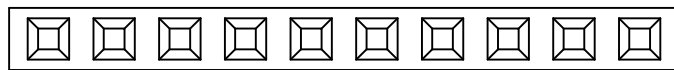
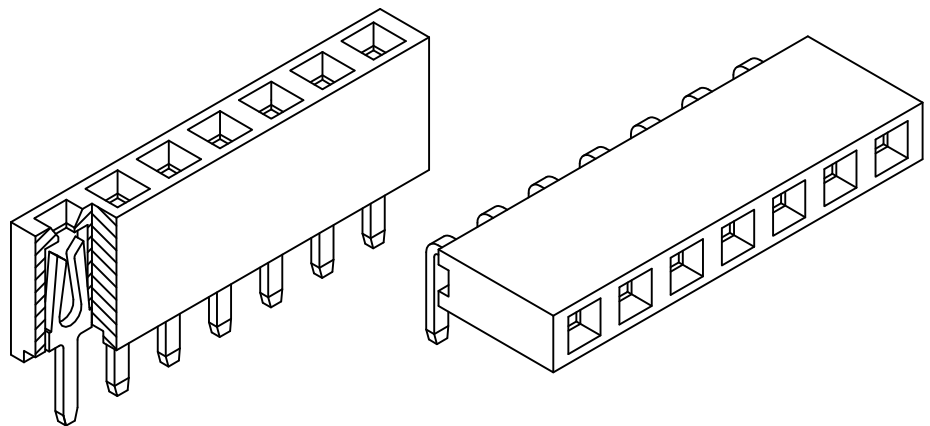
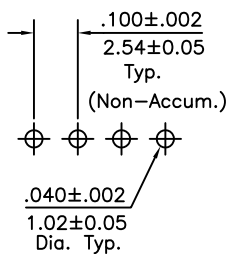
APPLICATION AND FEATURES

1. For low profile application 5.7mm high.
2. Accepts 0.64mm square pin .
3. Tuning-fork type contacts designed for low cost.
4. Suggestion mating with 2201, 2201A, 2204S & 2812 series.
5. RoHS compliant.

SPECIFICATIONS

Current Rating: 3 Amps
 Insulator resistance: 5000 Megohms min.
 Contact resistance: 20 m ohm Max.
 Dielectric withstanding: AC 1000 V
 Operating Temperature: -40°C to +105°C
 Contact Material: Phosphor bronze
 Insulator Material: Polyester, UL 94V-0
 ©Standard: P.B.T

Recommended P.C.Board
Hole Layout



Pos.	Dimensions
02	5.08
03	7.62

Order Information 2212 Series

Example: 2212-34-S-02-2.8

Series No.	Number of Contacts	Connector Type	Contact Plating	Pin Length mm
2212	02 to 40 Contacts	Straight S	Tin Plated 01	S-B 2.8
		Right Angle R	Gold Plated Flash 02	R-B 3.1
			10 μ" 10	
			30 μ" 30	