

# 2.54mm (0.1") Female Header

(Single Row)

2216 Series

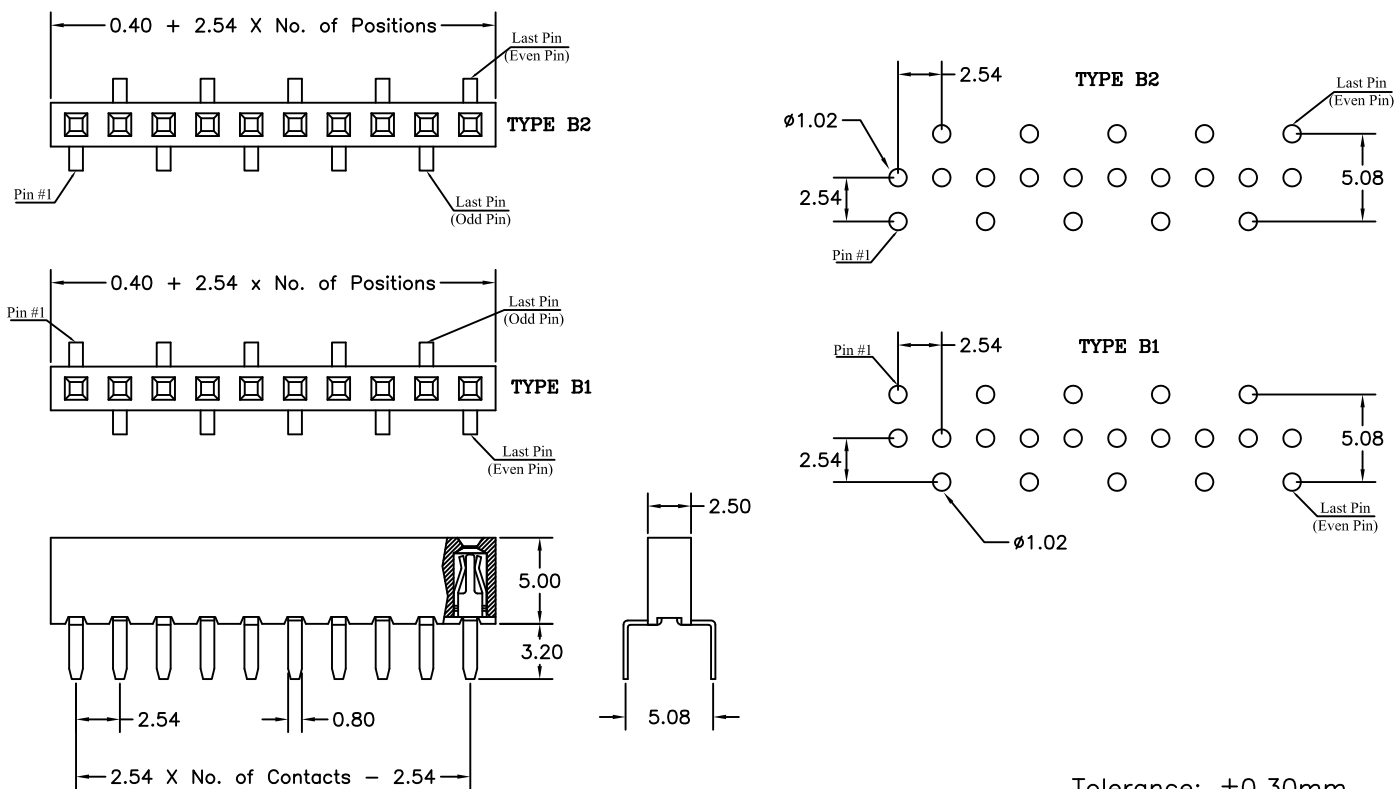
## APPLICATION AND FEATURES

1. Dual entry low profile 5mm height.
2. Designed for parallel and vertical board stacking.
3. Dual-beam folded contact and low insertion force.
4. Standoffs facilitate post soldering clean.
5. Suggestion mating with 2201, 2201A, 2204S & 2812 series.
6. RoHS compliant.

## SPECIFICATIONS

Current Rating: 3 Amps  
 Insulator Resistance: 5000 Megohms min.  
 Contact Resistance: 20 m ohm Max.  
 Dielectric Withstanding: AC 1000 V  
 Operating Temperature: -40°C to +105°C  
 Contact Material: Phosphor bronze  
 Insulator Material: Nylon 6T, UL 94V-0

Recommended P.C.Board Hole Layout



Tolerance: ±0.30mm

## Order Information 2216 Series

Example: 2216 - 34 - B1 - 02

Series No.	Number of Contacts	Connector Type	Contact Plating
2216	03 to 40 Contacts	Double Side	Tin Plated 01
		B1 Type B1	Gold Plated 02
		B2 Type B2	Flash 10
			10 μ" 10
			30 μ" 30