

2.54mm (0.1") Female Header

(Dual Row)

2227M Series

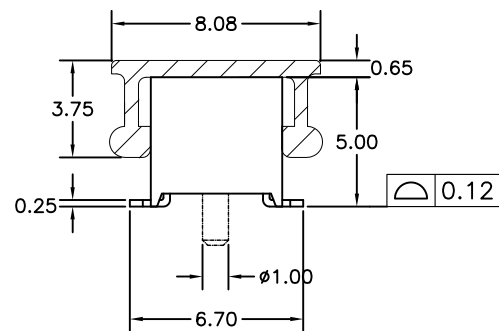
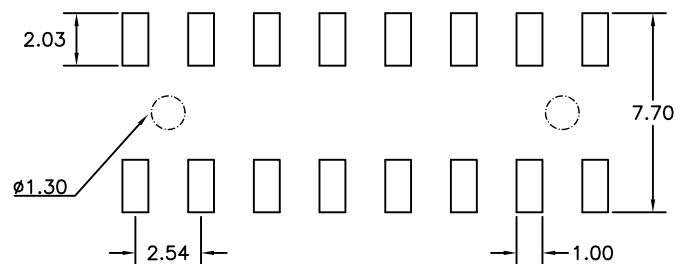
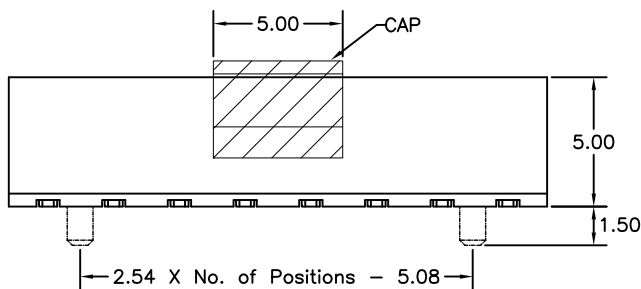
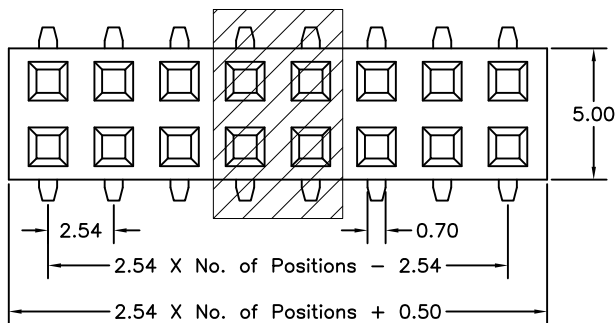
APPLICATION AND FEATURES

1. Bottom entry low profile 5mm height.
2. Designed for parallel and vertical board stacking.
3. Dual-beam folded contact.
4. Standoffs facilitate post soldering clean.
5. Mate with 2.54mm grid Dual Row male header such as 2202, 2205, 2100 & 2204D series.
6. RoHS compliant.

SPECIFICATIONS

Current Rating: 3 Amps
 Insulator Resistance: 5000 Megohms min.
 Contact Resistance: 20 m ohm Max.
 Dielectric withstanding: AC 500V
 Operating Temperature: -40°C to +105°C
 Max Processing Temp: 245±5°C for 3-5 seconds
 Contact Material: Phosphor bronze
 Insulator Material: Nylon 6T, UL 94V-0, Black

Recommended P.C.B Layout



Tolerance: ±0.30mm

Order Information 2227M Series

Example: 2227M-34-02-1-PT

Series No.	Number of Contacts	Contact Plating	0:w/o Locating Peg 1:with Locating Peg	Null: Tube P: Cap+Tube PT: Cap+T&R
2227M	06 to 80 Contacts	Tin Plated 01 Gold Plated		
		Flash 02		
		10 μ" 10		
		30 μ" 30		