

# 2.54mm (0.1") Female Header

2.54mm x 7.87mm (0.1" x 0.31") Pitch  
(Single Row)

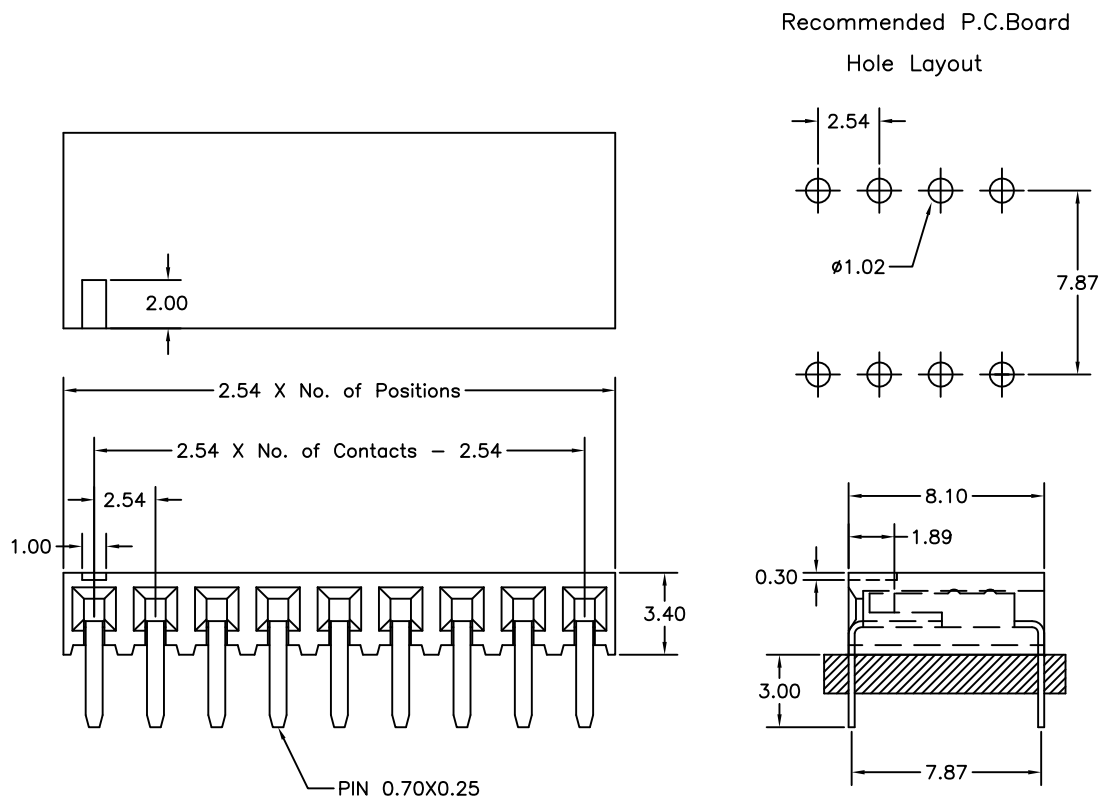
2231 Series

## APPLICATION AND FEATURES

1. High reliable dual-beam phosphor bronze contact.
2. Designed for right-angle P.C.Board mounting.
3. Suggestion mating with 2201, 2201A, 2204S & 2812 series.
4. RoHS compliant.

## SPECIFICATIONS

Current Rating: 3 Amps  
Insulator resistance: 1000 Megohms min.  
Contact resistance: 20 m ohm Max.  
Dielectric withstanding: 600V AC  
Operating Temperature: -40°C to +105°C  
Contact Material: Phosphor bronze  
Insulator Material: Polyester, UL 94V-0  
©Standard: P.B.T



## Order Information 2231 Series

Example: 2231 - 34 - R - 02 - G

Series No.	Number of Contacts	Connector Type	Contact Plating
2231	02 to 40 Contacts	Right angle R	Tin Plated 01
			Gold Plated
			Flash 02
			10 μ" 10
			30 μ" 30