

# 2.54mm (0.1") Elevated Female Header

(Single Row)

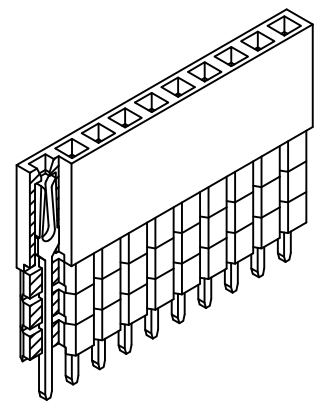
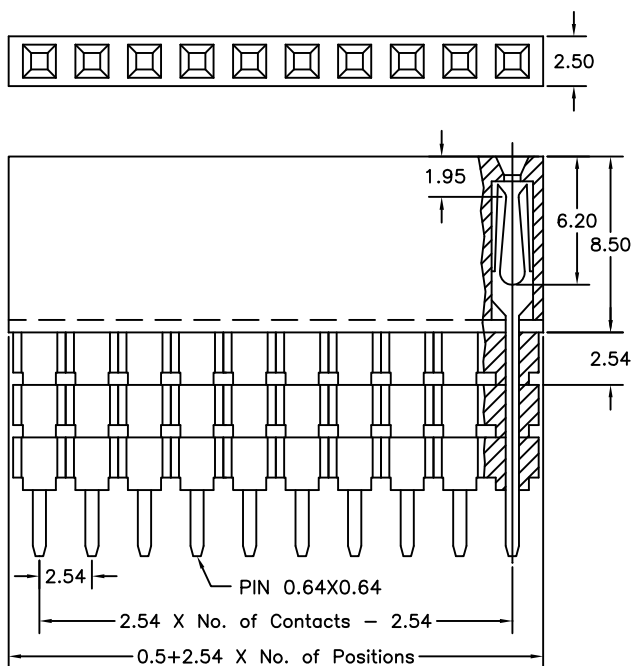
2711N Series

## APPLICATION AND FEATURES

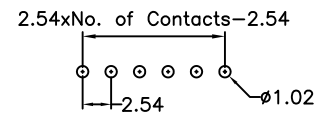
1. Different foot length for customer design choice.
2. Available with square tail.
3. Suggestion mating with 2201, 2201A, 2204S & 2812 series.
4. RoHS compliant.

## SPECIFICATIONS

|                          |                     |
|--------------------------|---------------------|
| Current Rating:          | 3 Amps              |
| Insulator resistance:    | 5000 Megohms Min.   |
| Contact resistance:      | 20 Megohms Max.     |
| Dielectric withstanding: | AC 1000 V           |
| Operating Temperature:   | -40°C to +105°C     |
| Contact Material:        | Phosphor Bronze     |
| Insulator Material:      | Polyester, UL 94V-0 |
|                          | ©Standard: P.B.T    |



Recommended P.C.Board Hole Layout



## Order Information 2711N Series

Example: 2711N-40-02-3Y-G

| Series No. | Number of Contacts | Contact Plating |
|------------|--------------------|-----------------|
| 2711N      | 03 to 40 Contacts  | Tin Plated 01   |
|            |                    | Gold Plated     |
|            |                    | Flash 02        |
|            |                    | 10 $\mu$ " 10   |
|            |                    | 30 $\mu$ " 30   |