

2.54mm (0.1") SMT Female Header

(Single Row)

2831 Series

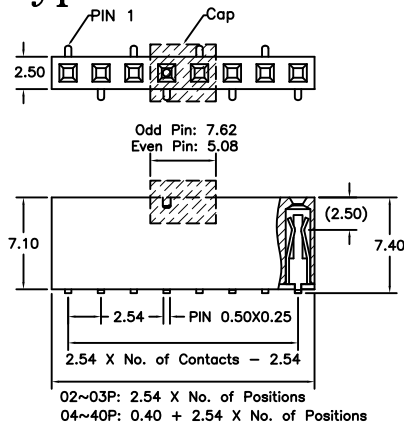
APPLICATION AND FEATURES

1. For profile application 7.5mm high.
2. Accept 0.64mm square pin.
3. Suggestion mating with 2201, 2201A, 2204S & 2812 series.
4. RoHS compliant.

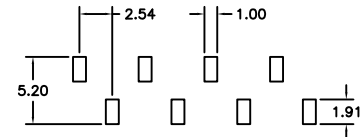
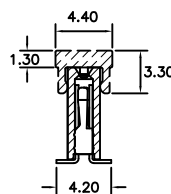
SPECIFICATIONS

Current Rating:	3 Amps
Insulator Resistance:	5000 Megohms min.
Contact Resistance:	20 Megohms Max.
Dielectric Withstanding:	AC 500V
Operating Temperature:	-40°C to +105°C
Max Processing Temp:	245±5°C for 3-5 seconds
Contact Material:	Phosphor bronze
Insulator Material:	Nylon 6T, UL 94V-0
Cap Material:	Nylon 6T (H.F.) (Black)

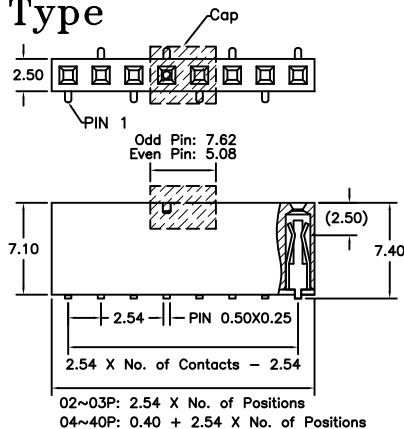
B1 Type



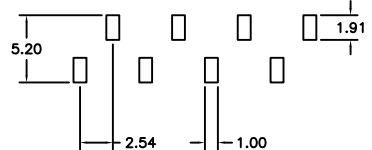
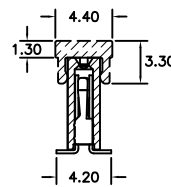
Recommended P.C.Board
SMD Layout



B2 Type



Recommended P.C.Board
SMD Layout



Tolerance: ±0.30mm

Order Information 2831 Series

Example: 2831-10-B1-02-PT-J

Series No.	Number of Contacts	Foot Rank Type	Contact Plating	NULL : Tube
2831	02 to 40 Contacts	B1	Tin Plated 01	P : Cap + Tube
		B2	Gold Plated	PT: Cap + T&R
			Flash 02	
			10 μ" 10	
			30 μ" 30	