

# 2.54mm (0.1") SMT Female Header

Profile: 7.5mm  
(Dual Row)

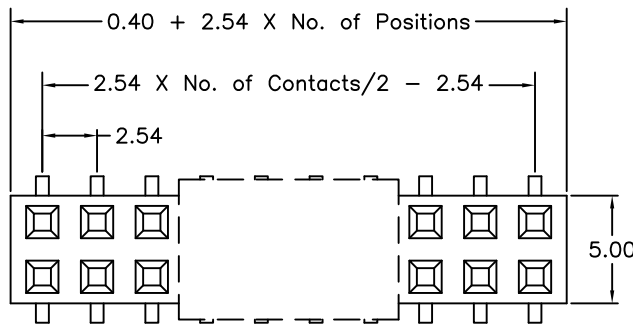
2832 Series

## APPLICATION AND FEATURES

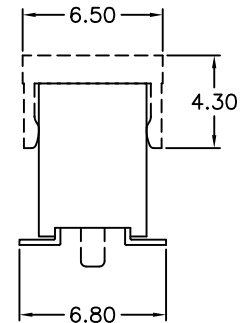
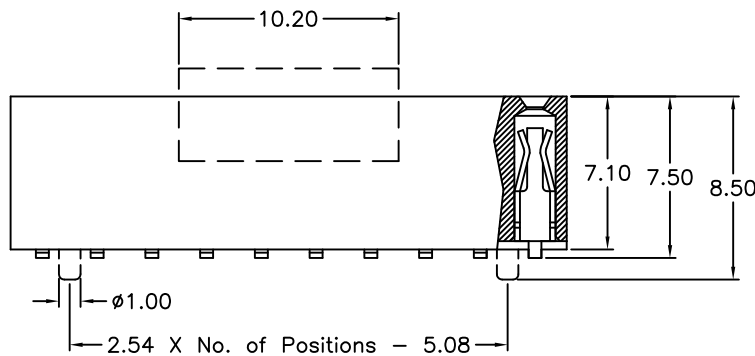
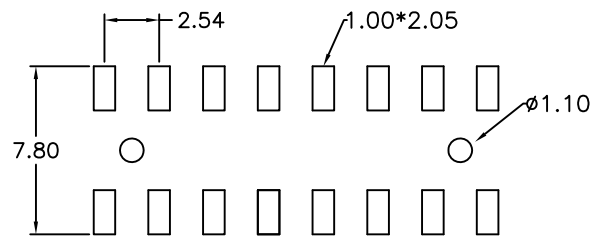
1. For profile application 7.5mm high.
2. Mate with pin header stick such as 2202, 2205, 2100 & 2204D series.
3. RoHS compliant.

## SPECIFICATIONS

Current Rating: 3 Amps  
 Insulator Resistance: 1000 Megohms min.  
 Contact Resistance: 30 m ohm Max.  
 Dielectric Withstanding: 1000V AC/DC  
 Operating Temperature: -40°C to +105°C  
 Max Processing Temp: 230°C for 30 seconds and 260°C for 5 seconds  
 Contact Material: Copper Alloy  
 Insulator Material: Nylon 6T, UL 94V-0



Recommended P.C.B Layout



Tolerance: ±0.30mm

## Order Information 2832 Series

Example: 2832 - 20 - S - 02 - 1 - PT

Series No.	Number of Contacts	Connector Type	Contact Plating	Null: Tube P: Cap+Tube PT: Cap+T&R
2832	08 to 80 Contacts	Straight S	Tin Plated 01 Gold Plated Flash 02 10 μ" 10 30 μ" 30	0:W/O Locating peg 1:W Locating peg