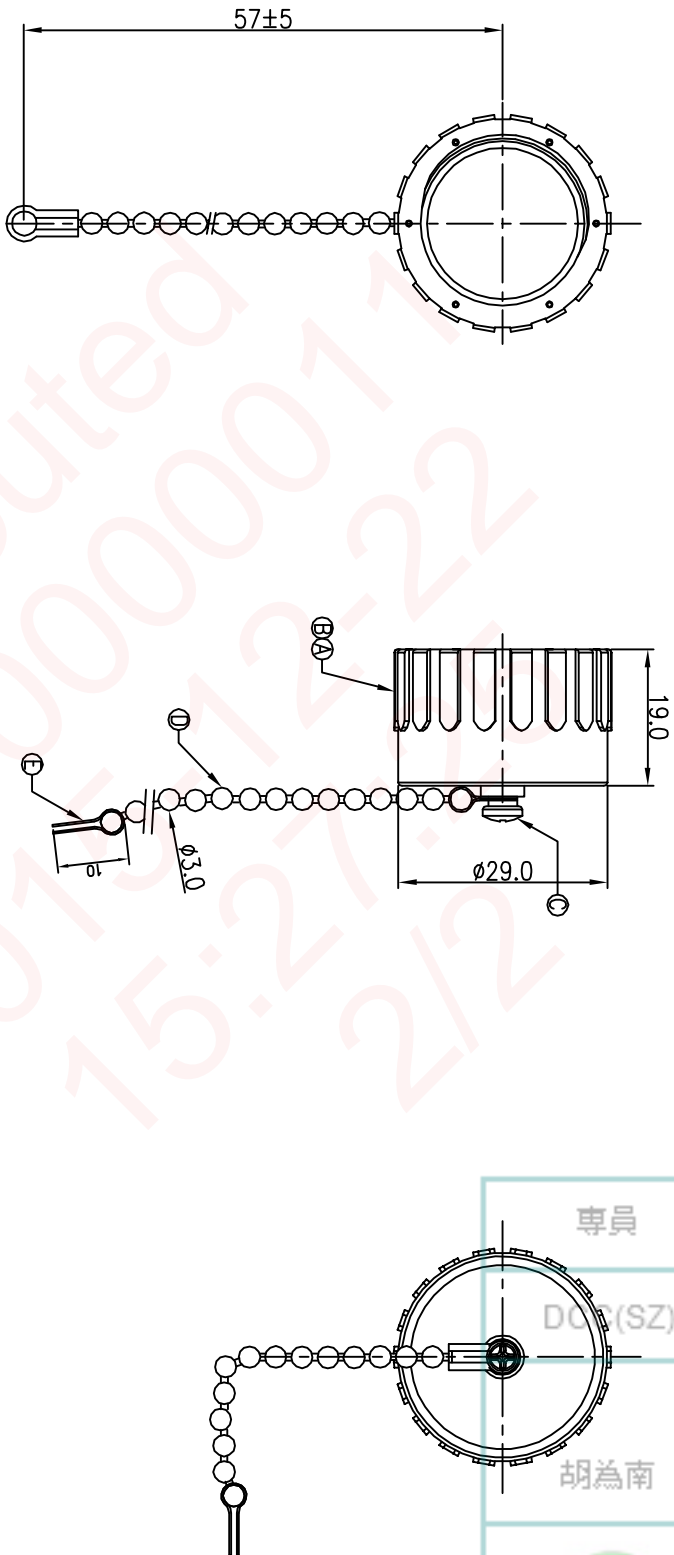



REV.	ECN NO OR DESCRIPTION	REVISED	DATE
A	PDR NO.:S150526-3A	JF	2015.10.06

卓鳴
 胡為南

 2015/12/22
 08:52:49



- NOTES:
1. WATERPROOF RATE: IP67
 2. TO CONFORM TO SINGATRON HAZARDOUS SUBSTANCE FREE SPEC.
 3. GREEN PRODUCT IDENTIFICATION LABEL ON PACKAGING: 
 4. FOR PANEL THICKNESS MAX OF 2.8mm




NO	DESCRIPTION	QTY	MATERIAL	PLATING & COLOR
E	EARS	2	SUS 304	NATURAL
D	CHAIN	1	SUS 304	NATURAL
C	SCREW	1	STAINLESS STEEL	N/A
B	GASKET	1	EPDM	BLACK
A	SCREW NUT	1	PA66+GF	BLACK

UNLESS OTHERWISE SPECIFIED TOLERANCES

DECIMALS:	ANGLES:
X :±0.5	X :±2°
X.X :±0.3	X.X±1'
X.XX:±0.2	

TITLE	POWER CONNECTOR WATERPROOF CAP SCREW TYPE (IP67)
DMN	JF
CHKD	Harlen
APVD	Yang
PART NO.	2AC3003-W0000WH
SCALE	2:1
UNIT:	mm
SIZE:	A3
SHEET:	1 OF 1
REV:	A

 Singatron Enterprise Co., Ltd.
 信言企業股份有限公司

CUSTOMER COPY