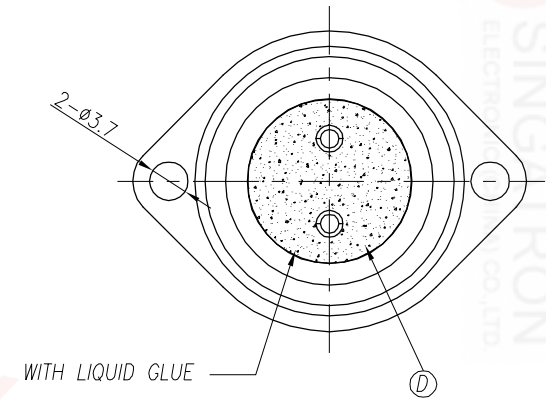
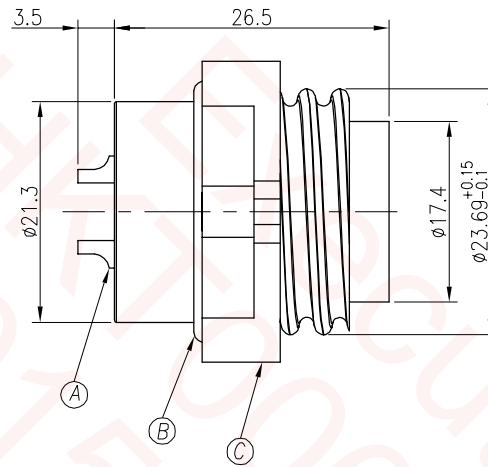
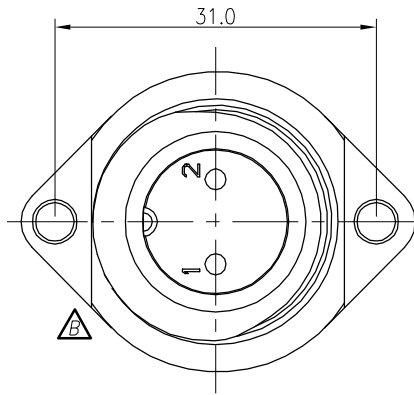
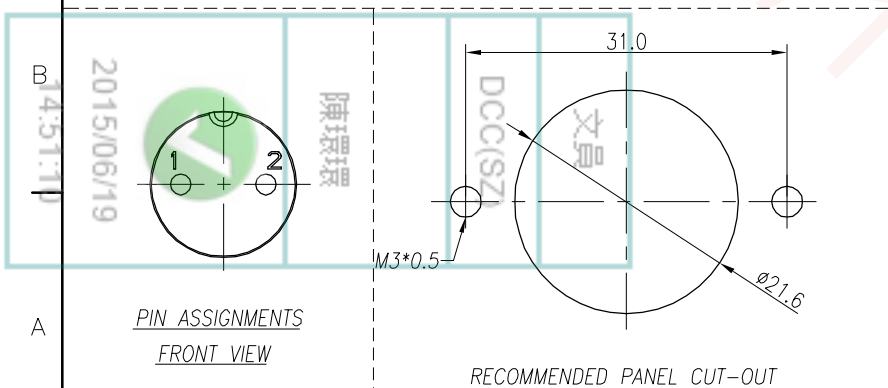
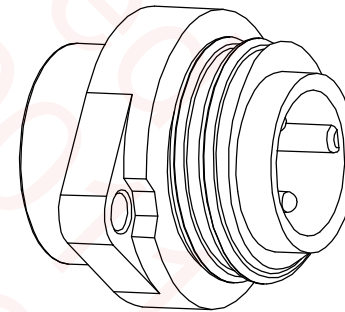


REV.	ECN NO OR DESCRIPTION	REVISED	DATE
A	PDR NO.:T101026-20A	Glen	2011.11.04
B	ECN NO.:S150637-R	Vicky	2015.06.16



NOTES:

- WATERPROOF RATE: IP67
IP67: IMMERSED IN 1M WATER FOR 30 MINUTES
- ELECTRICAL CHARACTERISTICS
TEMPERATURE RANGE: -40°C TO +100°C
CURRENT RATING: 12A
DIELECTRIC WITHSTANDING VOLTAGE: 1000V AC FOR ONE MINUTE
- SPECIFICATIONS:SEE "POWER CONNECTOR SERIES SPECIFICATIONS".
- TO CONFORM TO SINGATRON HAZARDOUS SUBSTANCE FREE SPEC.
- GREEN PRODUCT IDENTIFICATION LABEL ON PACKAGING: **G.P. PASS**



NO	DESCRIPTION	QTY	MATERIAL	PLATING & COLOR
D	LIQUID GLUE	1	N/A	BLACK
C	BODY	1	NYLON+GF	BLACK
B	O-RING	1	SILICONE	BLACK
A	MALE PIN	2	BRASS	6u" GOLD PLATED OVER NICKEL PLATING

UNLESS OTHERWISE SPECIFIED TOLERANCES

Singatron Enterprise Co., Ltd.
信音企業股份有限公司

DECIMALS: ANGLES:
X :±0.5 X :±2°
X.X :±0.3 X.X :±1°
X.XX :±0.2

TITLE	POWER CONNECTOR(SOLDER/LOCK TYPE) MALE CONN. MALE 2PIN(12A)		
DWN	Vicky	PART NO.2AC3003-W02500	
CHKD	Harlen	SCALE:2:1	UNIT: mm
APVD	Steve	SIZE: A3	SHEET:1 OF 1

REV: B
CUSTOMER COPY