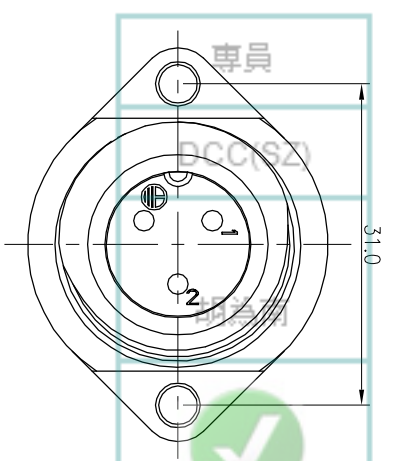
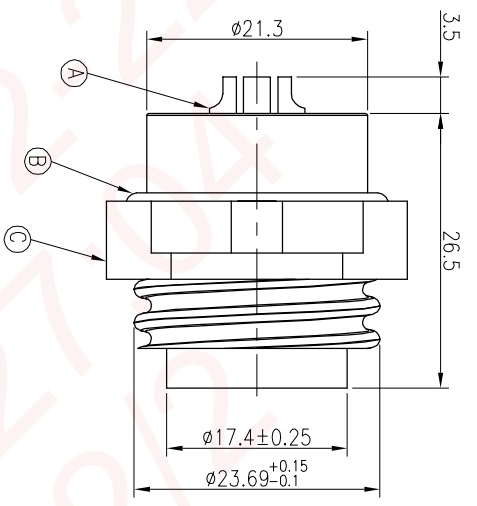
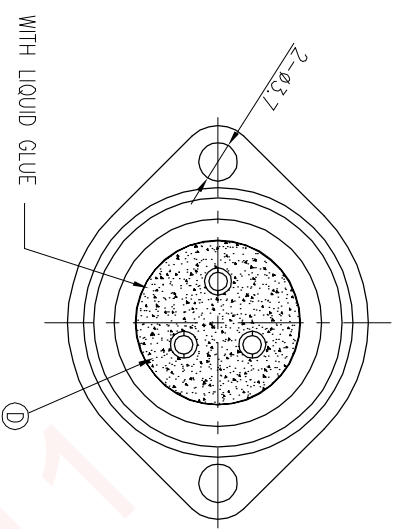
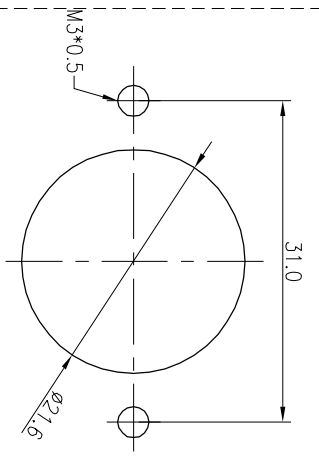
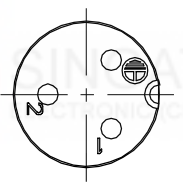
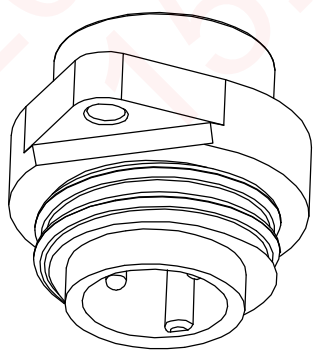


REV.	ECN NO. OR DESCRIPTION	REVISED	DATE
A	PDR NO.:S150526-35B	JF	2015.11.06



- NOTES:
1. WATERPROOF RATE: IP67
IP67: IMMERSED IN 1M WATER FOR 30 MINUTES
 2. ELECTRICAL CHARACTERISTICS
TEMPERATURE RANGE: -40°C TO +100°C
CURRENT RATING: 12A
DIELECTRIC WITHSTANDING VOLTAGE: 1000V AC FOR ONE MINUTE
 3. SPECIFICATIONS:SEE "POWER CONNECTOR SERIES SPECIFICATIONS."
 4. TO CONFORM TO SINGATRON HAZARDOUS SUBSTANCE FREE SPEC.
 5. GREEN PRODUCT IDENTIFICATION LABEL ON PACKAGING: **G.P. PASS**



PIN ASSIGNMENTS
FRONT VIEW

RECOMMENDED PANEL CUT-OUT

NO	DESCRIPTION	QTY	MATERIAL	PLATING & COLOR
D	LIQUID GLUE	1	N/A	BLACK
C	BODY	1	NYLON+GF	BLACK
B	O-RING	1	SILICONE	BLACK
A	MALE PIN	3	BRASS	6u" GOLD PLATED OVER NICKEL PLATING

UNLESS OTHERWISE SPECIFIED TOLERANCES

Singatron Enterprise Co., Ltd.
信亨企業股份有限公司

TITLE: POWER CONNECTOR(SOLDER/LOCK TYPE)
DWN: JF
CHKD: Yang
APVD: Harlen

DECIMALS: :±0.5 X :±2°
ANGLES: :±0.3 X.X :±1°
X:XX :±0.2

PART NO.:24C3003-W03500H
SCALE:2:1 UNIT: mm
SIZE: A3 SHEET:1 OF 1 REV: A

CUSTOMER COPY