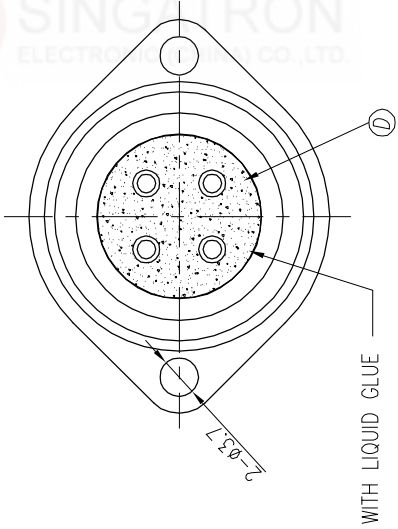
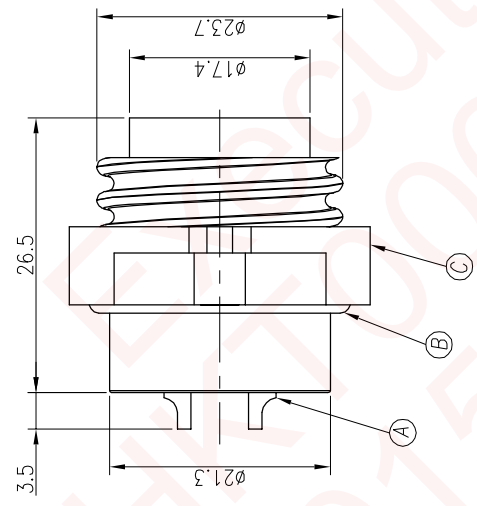
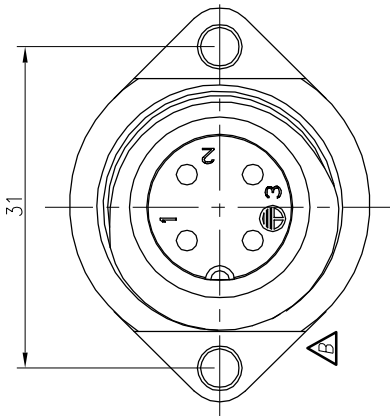
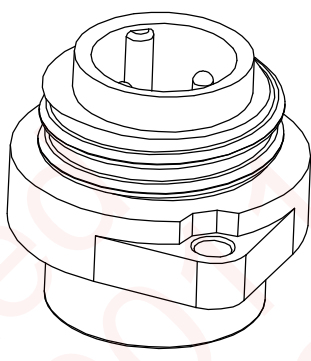


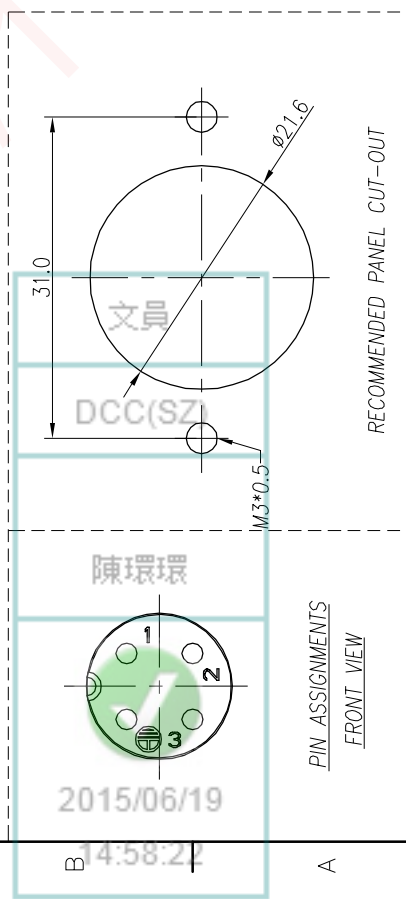
REV.	ECN NO OR DESCRIPTION	REVISED	DATE
A	PDR NO.:C120425-4C	Lx-Wu	2014.05.19
B	ECN NO.:S150637-R	Vicky	2015.06.16



- NOTES:
1. WATERPROOF RATE: IP67  
IP67: IMMersed IN 1M WATER FOR 30 MINUTES
  2. ELECTRICAL CHARACTERISTICS  
TEMPERATURE RANGE: -40°C TO +100°C  
CURRENT RATING: 12A  
DIELECTRIC WITHSTANDING VOLTAGE: 1000V AC FOR ONE MINUTE  
SPECIFICATIONS: SEE "POWER CONN SERIES SPECIFICATIONS".
  3. TO CONFORM TO SINGATRON HAZARDOUS SUBSTANCE FREE SPEC.
  4. TO CONFORM TO RoHS REQUIREMENT AND REACH REGULATION: **G.P. PASS**



WITH LIQUID GLUE



D	LIQUID GLUE	1	N/A	BLACK
C	BODY	1	NYLON+GF	BLACK
B	O-RING	1	EPDM	BLACK
A	MALE PIN	4	BRASS	6u" GOLD PLATED OVER NICKEL PLATING
NO	DESCRIPTION	QTY	MATERIAL	PLATING & COLOR
UNLESS OTHERWISE SPECIFIED TOLERANCES				
SINGATRON ENTERPRISE CO., LTD. 信晉企業股份有限公司				
DECIMALS: ANGLES:				
X	:±0.5	X	:±2°	
X.X	:±0.3	X.X	:±1°	
X.XX	:±0.2	X.XX		
TITLE: POWER CONNECTOR(SOLDER/LOCK TYPE)				
DWN: Vicky				
CHKD: Harlen				
APVD: Steve				
PART NO.: 2AC3003-W04500H				
SCALE: 2:1				
UNIT: mm				
SIZE: A3				
SHEET: 1 OF 1				
REV: B				
CUSTOMER COPY				