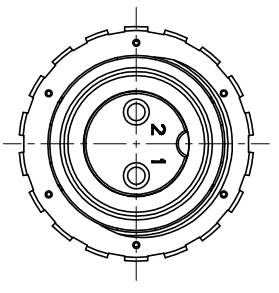
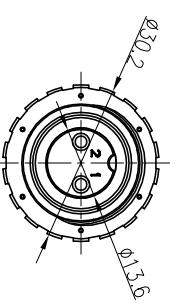
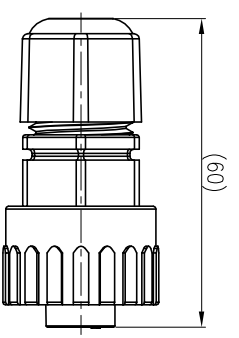
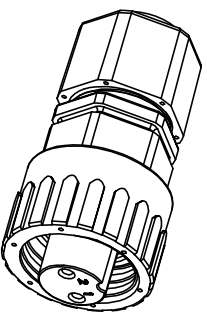
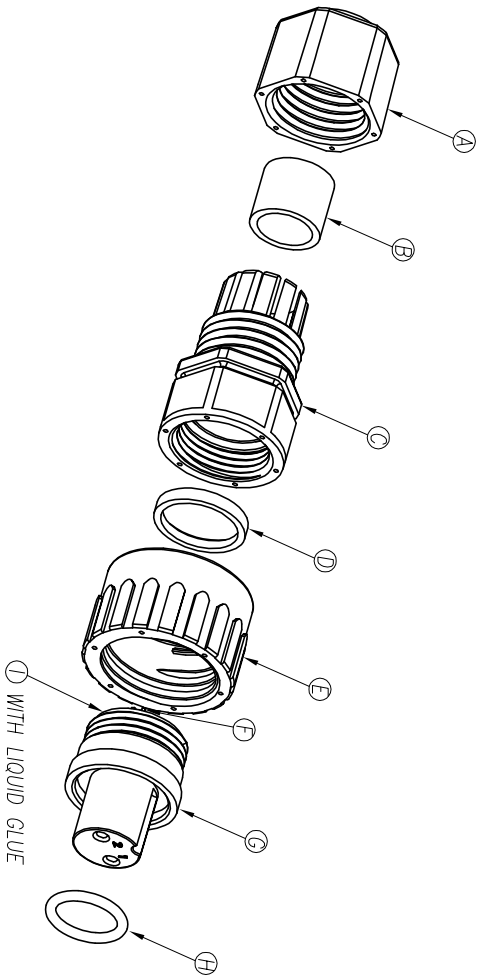


| REV. | EGN NO | OR DESCRIPTION | REVISED | DATE |
|------|----------|----------------|---------|------------|
| A | PDR NO.: | T101026-19A | Glen | 2011.11.04 |
| B | EGN NO.: | S130725 | YF | 2014.08.05 |



Pin Assignments
Front View

- NOTES:
1. WATERPROOF RATE: IP67(WHEN PROPERLY MATED)
 2. IP67: IMMERSED IN 1M WATER FOR 30 MINUTES
 3. SEAL FOR CABLE OD: $\phi 5.0\text{mm} \sim \phi 10.5\text{mm}$
 4. OTHER GENERAL SPEC. TO REFER "POWER CONNECTOR CONN SERIES SPEC."
 5. TO CONFORM TO SINGATRON HAZARDOUS SUBSTANCE FREE SPEC.
 6. GREEN PRODUCT IDENTIFICATION LABEL ON PACKAGING: **G.P. PASS**

| | | | | |
|--|-------------|-----------|-----------------|---|
| I | LIQUID GLUE | 1 | N/A | BLACK |
| H | O-RING | 1 | SILICONE | BLACK |
| G | BODY | 1 | NYLON+GF | BLACK |
| F | FEMALE PIN | 2 | Phosphor Bronze | 6u" GOLD PLATING OVER NICKEL PLATING |
| E | SCREW NUT | 1 | NYLON+GF | BLACK |
| D | GASKET | 1 | SILICONE | BLACK |
| C | CLAMP RING | 1 | PC | BLACK |
| B | SEAL | 1 | SILICONE | BLACK |
| A | SEALING NUT | 1 | PC | BLACK |
| NO | DESCRIPTION | QTY | MATERIAL | PLATING & COLOR |
| UNLESS OTHERWISE SPECIFIED TOLERANCES | | | | |
| Singatron Enterprise Co., Ltd. 信晉企業股份有限公司 | | | | |
| TITLE POWER CONN (IP67) FEMALE CONN | | | | |
| FEMALE 2 PIN ASSEMBLY TYPE | | | | |
| DMN | YF | PART NO.: | 2AC3038-W02500 | |
| CHKD | Harlen | SCALE: | 1:1 | UNIT: mm |
| APVD | Steve | SIZE: | A3 | SHEET: 1 OF 1 |
| CUSTOMER COPY | | | | |

DECIMALS: ANGLES:

X : ±0.5 X : ±2°

X X : ±0.3 X X : ±1°

X XX : ±0.2

