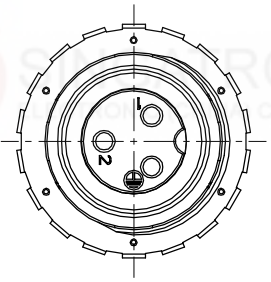
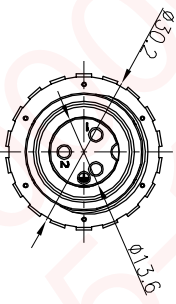
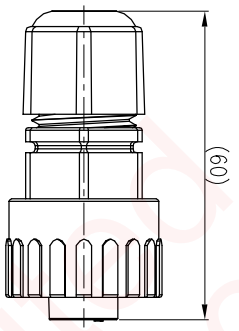
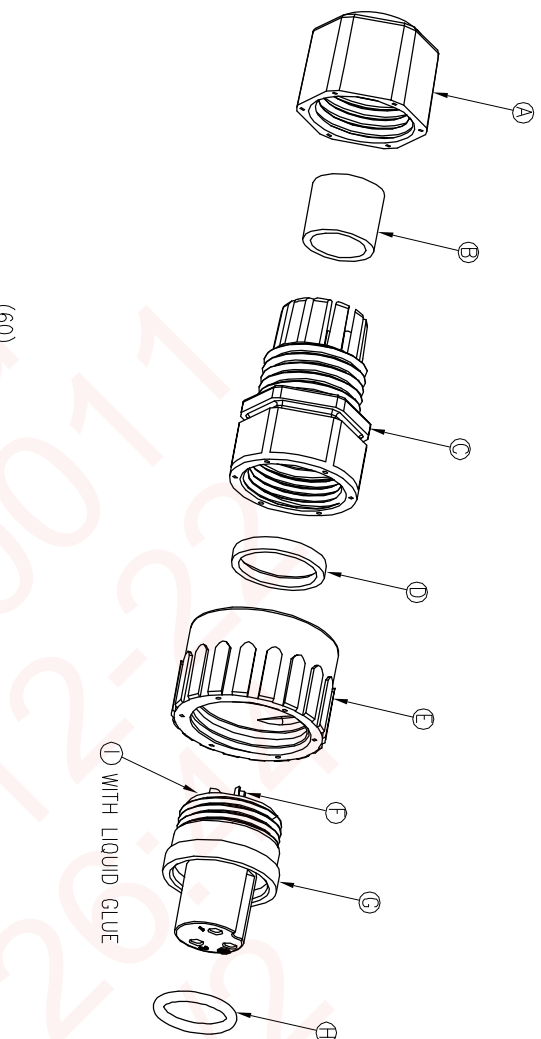


REV.	ECN NO.	OR DESCRIPTION	REVISED	DATE
A	PDR NO.:	S150526-3C	JF	2015.11.06

卓品
 DCC(SZ)
 胡為南

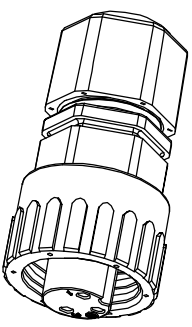
 2015/12/22
 18:53:30



Pin Assignments
Front View

- NOTES:
1. WATERPROOF RATE: IP67(WHEN PROPERLY MATED)
 2. SEAL FOR CABLE OD: $\phi 5.0\text{mm} \sim \phi 10.5\text{mm}$
 3. CURRENT RATING: 12A
 4. OTHER GENERAL SPEC. TO REFER "POWER CONN SERIES SPEC."
 5. TO CONFORM TO SINGATRON HAZARDOUS SUBSTANCE FREE SPEC.
 6. TO CONFORM TO ROHS REQUIREMENT AND REACH REGULATION:


G.P. PASS



I	LIQUID GLUE	1	N/A	BLACK
H	O-RING	1	SILICONE	BLACK
G	BODY	1	NYLON+GF	BLACK
F	FEMALE PIN	3	Phosphor Bronze	6u" GOLD PLATING OVER NICKEL PLATING
E	SCREW NUT	1	NYLON+GF	BLACK
D	GASKET	1	SILICONE	BLACK
C	CLAMP RING	1	PC	BLACK
B	SEAL	1	SILICONE	BLACK
A	SEALING NUT	1	PC	BLACK
NO	DESCRIPTION	QTY	MATERIAL	PLATING & COLOR

UNLESS OTHERWISE SPECIFIED TOLERANCES

DECIMALS:	ANGLES:
X : ± 0.5	X : $\pm 2^\circ$
X.X : ± 0.3	X.X : $\pm 1^\circ$
X.XX : ± 0.2	

 Singatron Enterprise Co., Ltd.
 信登企業股份有限公司
 TITLE POWER CONN (IP67) FEMALE CONN
 FEMALE 3 PIN ASSEMBLY TYPE
 DWG JF PART NO. 2AC3038-W03500H
 CHKD Yang SCALE: 1:1 UNIT: mm
 APVD Horlen SIZE: A3 SHEET: 1 OF 1 REV: A

CUSTOMER COPY