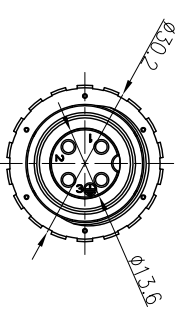
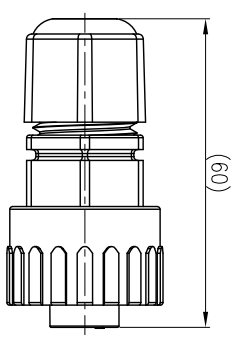
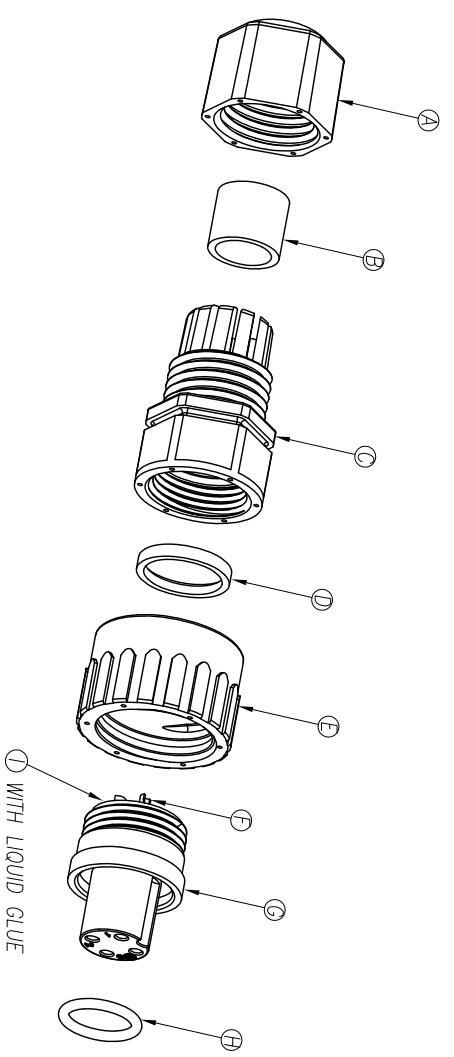


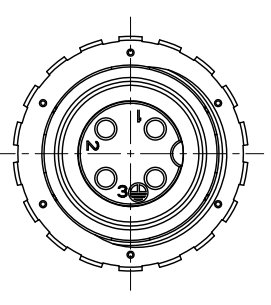
| REV. | ECN NO OR DESCRIPTION | REVISED | DATE |
|------|-----------------------|---------|------------|
| A | PDR NO.:C120425-4B | Lx-Wu | 2014.05.30 |



- NOTES:
1. WATERPROOF RATE: IP67(WHEN PROPERLY MATED)
 2. IP67: IMMERSIED IN 1M WATER FOR 30 MINUTES
 3. SEAL FOR CABLE OD: $\phi 5.0\text{mm} \sim \phi 10.5\text{mm}$
 3. CURRENT RATING: 12A
 4. OTHER GENERAL SPEC. TO REFER "POWER CONN SERIES SPEC".
 5. TO CONFORM TO SINGATRON HAZARDOUS SUBSTANCE FREE SPEC.
 6. TO CONFORM TO ROHS REQUIREMENT AND REACH REGULATION.

G.P. PASS

Pin Assignments
Front View



| | | | | |
|----|-------------|-----|-----------------|---|
| I | LIQUID GLUE | 1 | N/A | BLACK |
| H | O-RING | 1 | SILICONE | BLACK |
| G | BODY | 1 | NYLON+GF | BLACK |
| F | FEMALE PIN | 4 | Phosphor Bronze | 6u" GOLD PLATING OVER NICKEL PLATING |
| E | SCREW NUT | 1 | NYLON+GF | BLACK |
| D | GASKET | 1 | SILICONE | BLACK |
| C | CLAMP RING | 1 | PPE | BLACK |
| B | SEAL | 1 | SILICONE | BLACK |
| A | SEALING NUT | 1 | PPE | BLACK |
| NO | DESCRIPTION | QTY | MATERIAL | PLATING & COLOR |

UNLESS OTHERWISE SPECIFIED TOLERANCES

| DECIMALS: | ANGLES: |
|------------------|---------------------|
| X : ± 0.5 | X : $\pm 2^\circ$ |
| X.X : ± 0.3 | X.X : $\pm 1^\circ$ |
| X.XX : ± 0.2 | |

Singatron Enterprise Co., Ltd.
信亨企業股份有限公司

TITLE POWER CONN (IP67) FEMALE CONN
FEMALE 4 PIN ASSEMBLY TYPE

DWN Lx-Wu PART NO.2AC3038-W04500H

CHKD Harden SCALE:1:1 UNIT: mm

APVD Quon SIZE: A3 SHEET: 1 OF 1 REV: A

CUSTOMER COPY