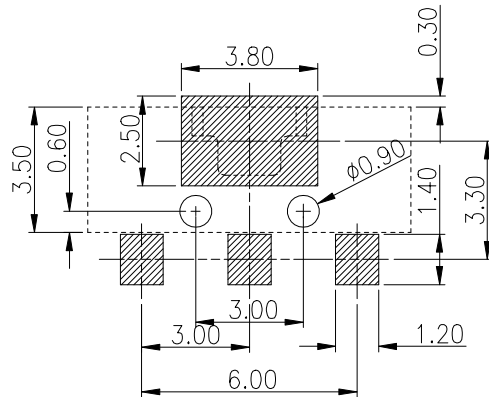
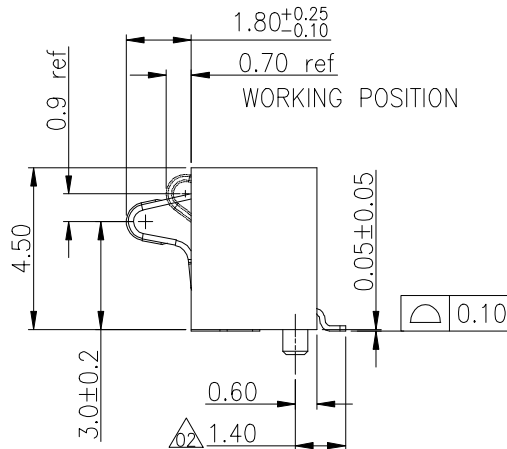
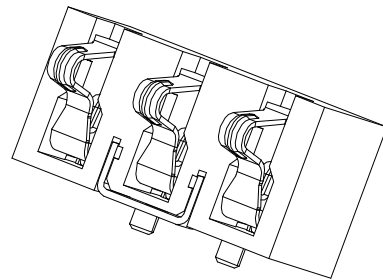
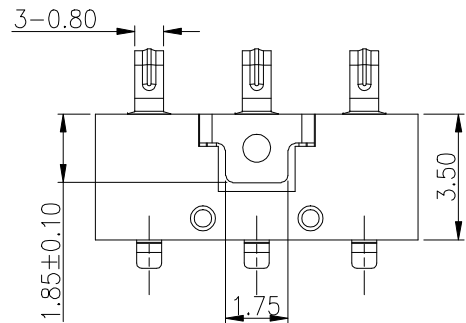
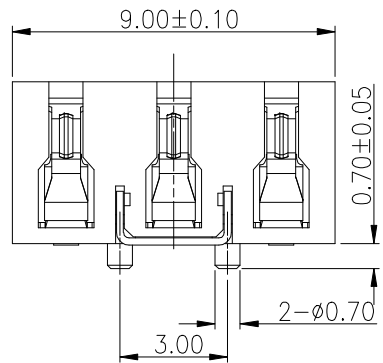
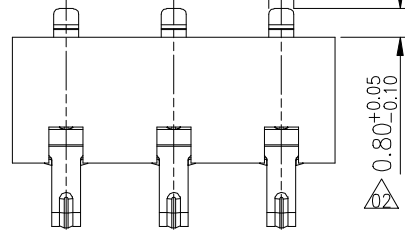


REV	LOCAS	DESCRIPTION	DRAW	DATE
01	NEW	新增规格	Andy	2017.12.08
02		焊脚尺寸再次改短	Andy	2017.12.20

3.00±0.10      6.00±0.10      3-0.70±0.05



RECOMMENDED PCB LAYOUT  
TOLERANCE: ±0.05

**NOTES:**

**1. MATERIAL:**

- 1.1 Housing: High Temperature Thermoplastic  
UL94V-0; Color Black.
- 1.2 Terminal: Copper Alloy.
- 1.3 Nail: Stainless Steel

**2. SPECIALITY:**

- 2.1 Rated current: 2.0A
- 2.2 Rated voltage: 30V
- 2.3 Contact Resistance: 50mΩ MAX
- 2.4 Insulation Resistance: 100MΩ MIN 100V DC
- 2.5 Dielectric withstanding voltage: 100V AC.
- 2.6 Solder ability: 245±5°C, 5±0.5s.
- 2.7 Durability: 5000 Cycles Min.
- 2.8 Operating condition: Temperature: -30°C~+80°C;  
Humidity: 80% R.H MAX

QUADRANT POINT	
TANGENCY POINT	
INTERSECTION POINT	
UNLESS OTHERWISE SPECIFIED, TOLERANCE:	
X.	±0.25
X.x	±0.20
X.xx	±0.15
ANGULAR	±3'

Singatron Enterprise Co., Ltd.

TITLE	4.5H 3.0PITCH 侧压式电池座 (端子焊脚长度0.8)			
DWN	Andy	PART NO.	2BA0307300450-26-01	
CHKD	2017.12.08	SCALE	1:1	UNIT: mm
APVD		SIZE	A3	SHEET: 1 OF 1 REV: 02

CUSTOMER COPY