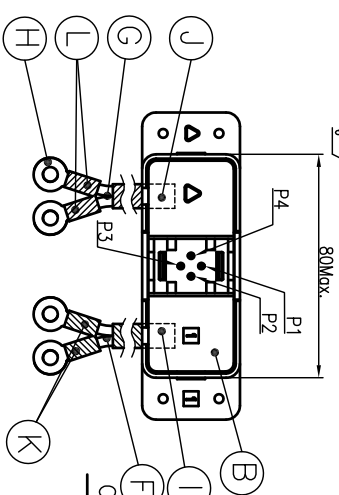
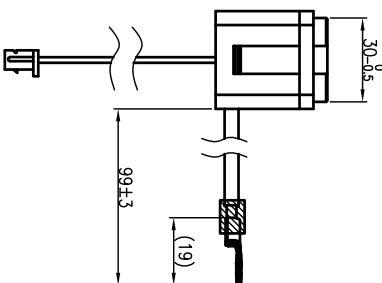
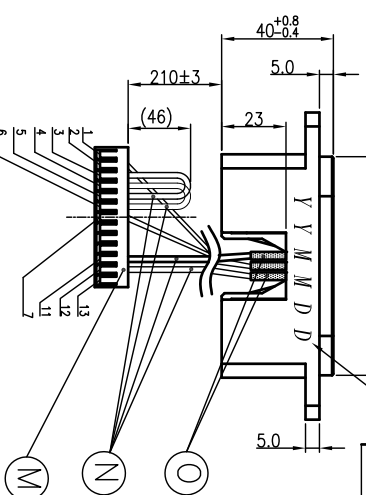


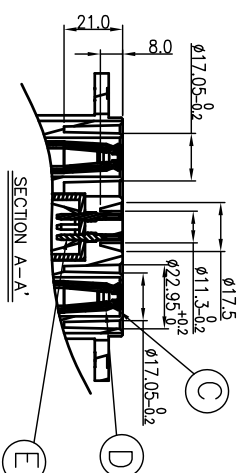
MATING PART  
P/N : 2BA1011-000210

DATE CODE  
YYMMDD  
YY: YEAR  
MM: MONTH  
DD: DAY



CONNECTOR B WIRE DIAGRAM  
BATTERY CONNECTOR  
DETECT PIN

- 12 BLACK (UL1061 28AWG) P2
- 11 RED (UL1061 28AWG) P4
- 7 YELLOW(UL1061 28AWG) P1
- 6 BLUE (UL1061 28AWG)
- 5 GREEN(UL1061 28AWG)
- 4 WHITE(UL1061 28AWG) P3



SPECIFICATIONS:

1. ELECTRICAL CHARACTERISTICS:
  - 1-1. RATING: 60V DC 60A
  - 1-2. CONTACT RESISTANCE: 0.6 mΩ MAX. (PIN+/PIN- INITIAL)
  - 1-3. CONTACT RESISTANCE: 10m Ω MAX. (DETECT PIN INITIAL)
2. MECHANICAL CHARACTERISTICS:
  - 2-1. INSERTION FORCE : 10 KGf Max. (INITIAL)
  - 2-2. WITHDRAWAL FORCE : 10.0 KGf Max. (INITIAL)
3. LIFE TEST: 5,000 CYCLES
  - 3-1. AFTER LIFE TEST CONTACT RESISTANCE: 1.2 mΩ MAX. (PIN+/PIN- )
  - 3-2. AFTER LIFE TEST CONTACT RESISTANCE: 20.0m Ω MAX. (DETECT PIN )
4. OTHER GENERAL SPEC. TO REFER "2BA1010-002210 SPEC."
5. TO CONFORM TO SINGATRON HAZARDOUS SUBSTANCE FREE SPEC.
6. GREEN PRODUCT IDENTIFICATION MARK ON JACK:
7. PRODUCT IDENTIFICATION LABEL ON PACKAGING:
8. PACKAGING: BAG

O	HEAT SHRINK TUBE	4	Ø3 L=15.0	BLACK
N	WIRE	6	SEE WIRE DIAGRAM	SEE WIRE DIAGRAM
M	CONNECTOR B	6	TER:PHOSPHOR BRONZE	TIN-PLATED
L	HEAT SHRINK TUBE	1	HSG:NYLON UL94V-0	WHITE COLOR
K	HEAT SHRINK TUBE	2	Ø6.0 L=25.0	RED COLOR
J	HEAT SHRINK TUBE	2	Ø7.0 L=95.0	BLACK COLOR
I	HEAT SHRINK TUBE	1	Ø7.0 L=95.0	BLACK COLOR
H	R-TERMINAL	4	OD 8.5 ID 5.3 T=1.1	TIN PLATING
G	WIRE	2	UL1015 #12	RED COLOR
F	WIRE	2	UL1015 #12	BLACK COLOR
E	DETECT PIN	4	COPPER ALLOY	GOLD PLATING
D	SPRING	2	SUS304 0.5t	N/A
C	TERMINAL	2	COPPER ALLOY 0.8t	SILVER PLATING
B	COVER	1	HIGH TEMP. THERMOPLASTIC UL 94V-0	BLACK COLOR
A	HOUSING	1	HIGH TEMP. THERMOPLASTIC	BLACK COLOR
NO	DESCRIPTION	QTY	MATERIAL	PLATING & COLOR

UNLESS OTHERWISE SPECIFIED TOLERANCES

DECIMALS: ANGLES: TITLE

X : ±0.5 X : ±.2

X.X : ±0.3 X.X : ±.1

X.XX : ±0.2

Singaton Enterprise Co., Ltd.  
信音企業股份有限公司

BATTERY CONNECTOR+WIRE

PART NO. 2BA1010-002210

SCALE 1:2 UNIT: mm

SIZE: A3 SHEET: 1 OF 1 REV: A

CUSTOMER COPY