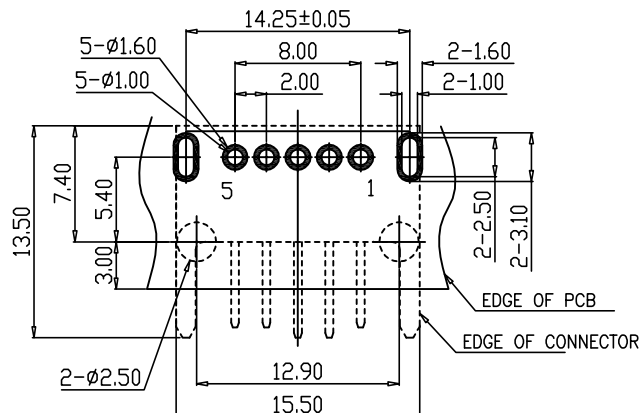
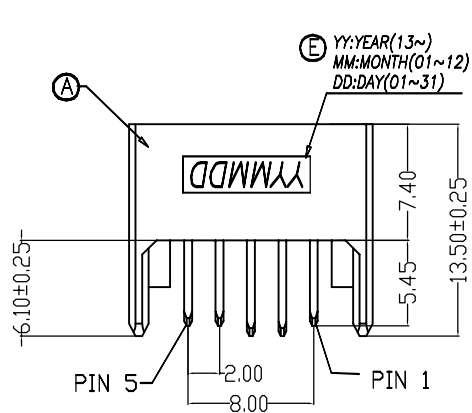


REV.	ECN NO OR DESCRIPTION	REVISED	DATE
A	PDR RELEASE	IVY-C	2014.12.02



RECOMMEND PCB LAYOUT
PCB LAYOUT TOLERANCE: ±0.05mm.

SPECIFICATIONS:

- VOLTAGE RATING: 30V DC MAX.
- CURRENT RATING: 7.0 Amps, MAX. PER CONTACT
- CONTACT RESISTANCE: 20mΩ (INITIAL)MAX.
- INSULATION RESISTANCE: 1000MΩ MIN. AT 500V DC.
- WITHSTANDING VOLTAGE: 500V AC MIN./1 MINUTE.
- LIFE TEST: 5,000 CYCLES.
- TO CONFORM TO THE SINGATRON HAZARDOUS SUBSTANCE FREE SPEC.
- HALOGEN FREE PRODUCT IDENTIFICATION LABEL ON PACKAGING:
- OPERATING TEMPERATURE: -40°C TO +85°C.
- PACKAGE: SEE "2BA1527-010111F" PACKAGE.
- FOR REFLOW SOLDERING LEAD-FREE PROCESS.
- OTHER GENERAL SPEC. TO REFER "2BA1527-010111F SPEC"

PART NO.

2BA1527-010111F

TERMINAL TAIL LENGTH:
1 : 2.80mm

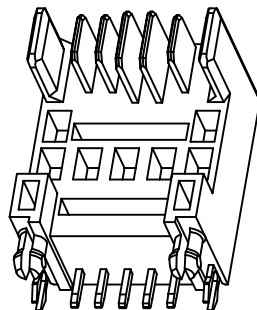
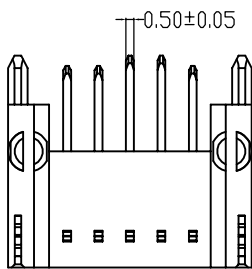
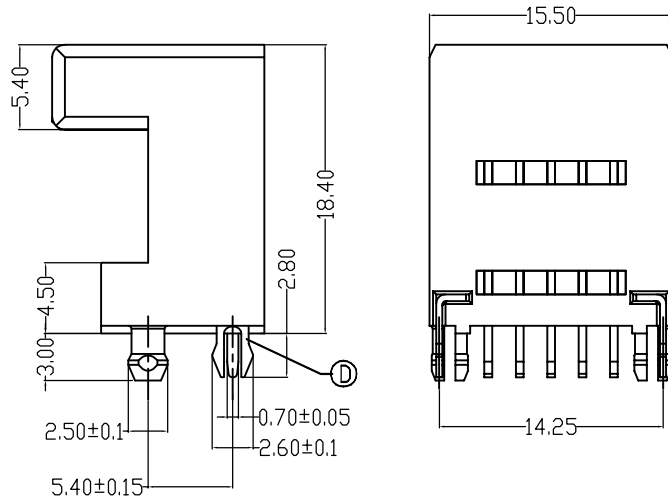
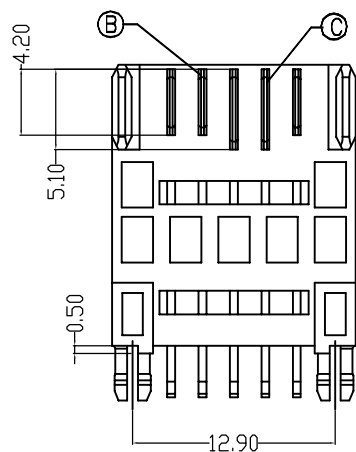
SUFFIX: HALOGEN FREE

PACKAGE
1: TRAY

HOUSING COLOR
1: BLACK

CONTACT PLATING

1: 5u" Au PLATED ON CONTACT AREA,
MATTE TIN PLATED ON SOLDER AREA
50u" NICKEL UNDERPLATING OVERALL.



E	INK	-	INK	BLACK
D	HARPOON	2	COPPER ALLOY	MATTE TIN PLATED OVER NICKEL
C	LONG TERMINAL(2,3)	2	COPPER ALLOY	SEE PART NO.
B	SHORT TERMINAL(1,4,5)	3	COPPER ALLOY	SEE PART NO.
A	HOUSING	1	HIGH TEMP. THERMOPLASTIC UL 94V-0	BLACK
NO	DESCRIPTION	QTY	MATERIAL	PLATING & COLOR

UNLESS OTHERWISE SPECIFIED TOLERANCES

Singatron Enterprise Co., Ltd.
信音企業股份有限公司

DECIMALS:	ANGLES:	TITLE	5P BATTERY, PITCH 2.0mm, R/A, DIP, H=18.40mm	
X : ±0.3	X : ±1°	DWN	IV-C 2014.12.02	PART NO. 2BA1527-010111F
X.X : ±0.2	X.X : ±0.5°	CHKD	SCALE 3:1	UNIT: mm
X.XX : ±0.1		APVD	ANGEL/2014.12.02	SIZE: A3
X.XXX : ±0.05			SHEET: 1 OF 1	REV: A

CUSTOMER COPY