

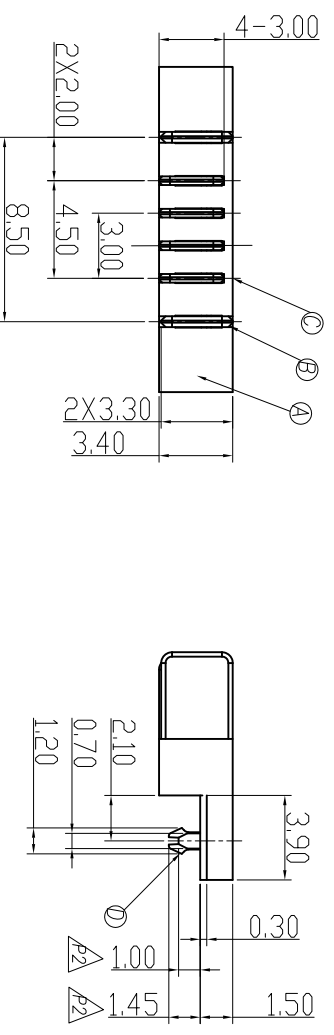
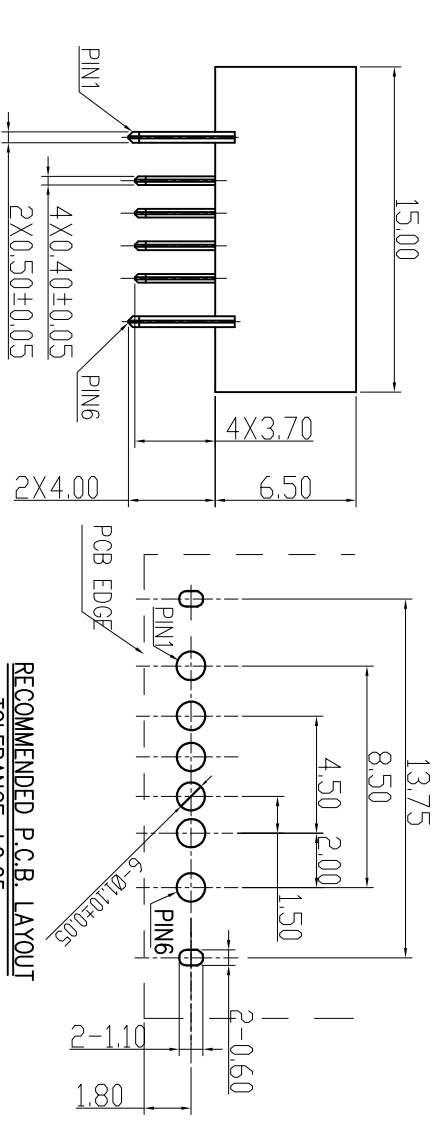
REV	ECN NO OR DESCRIPTION	REVISED	DATE
A	INITIAL RELEASE	LY	7/04'13

SPECIFICATIONS:

- ELECTRICAL CHARACTERISTICS:
 - RATING: 30V, 7A MAX.
 - CONTACT RESISTANCE: 20 MILLIOHMS MAX. FOR INITIAL, 100 MEGA OHMS MIN. BY 500V DC AFTER 1 MINUTE.
 - INSULATION RESISTANCE: 500V RMS AFTER 1 MINUTE.
- MECHANICAL CHARACTERISTICS:
 - INSERTION FORCE : 0.12~1.8 KGf
 - WITHDRAWAL FORCE : 0.10~1.5 KGf
 - LIFE TEST: 5,000 CYCLES MIN.
 - TEMPERATURE RANGE: -40~+85°C
 - TO CONFORM TO SINGATRON HAZARDOUS SUBSTANCE FREE SPEC.
 - HALOGEN FREE PRODUCT IDENTIFICATION LABEL ON PACKAGING:



**RECOMMENDED P.C.B. LAYOUT
TOLERANCE ±0.05mm**



D	HOOK	2	COPPER ALLOY	Sn PLATING OVER NICKEL
C	TERMINAL 2	4	COPPER ALLOY	GOLD FLASH PLATING OVER NICKEL
B	TERMINAL 1	2	COPPER ALLOY	GOLD FLASH PLATING OVER NICKEL
A	HOUSING	1	HIGH THERMOPLASTIC UL 94V-0	BLACK COLOR
NO	DESCRIPTION	QTY	MATERIAL	PLATING & COLOR

UNLESS OTHERWISE SPECIFIED TOLERANCES



Singatron Enterprise Co., Ltd.
信亨企業股份有限公司

TITLE	6P BATTERY CONN			
DMN	LY	PART NO.	2BA2Y12-000006F	
CHKD	KIM	SCALEN/A	UNIT: mm	
APVD	SEAN	SIZE: A4	SHEET: 10F1	REV: A

CUSTOMER COPY