

REV/ECN NO	OR DESCRIPTION	REVISED	DATE
A	PDR NO: 20070530-1-S	GINO	2007.08.28
B	ECN NO: S071028	BOYE	2007.12.14

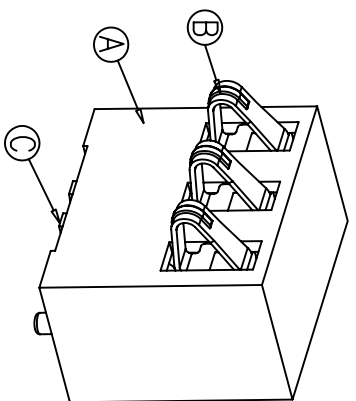
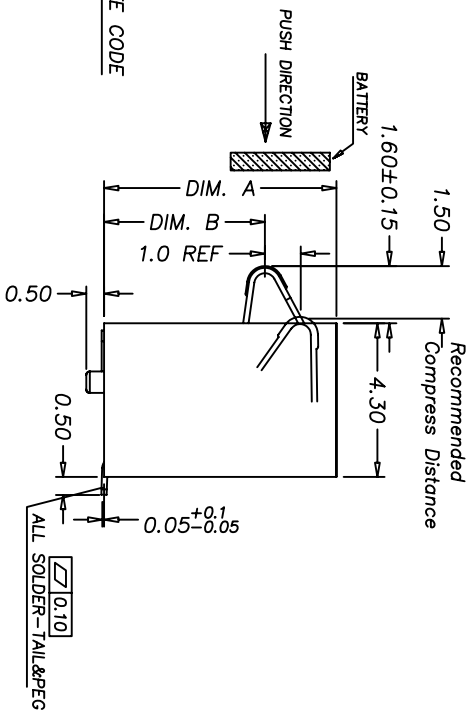
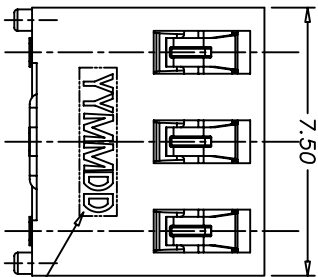
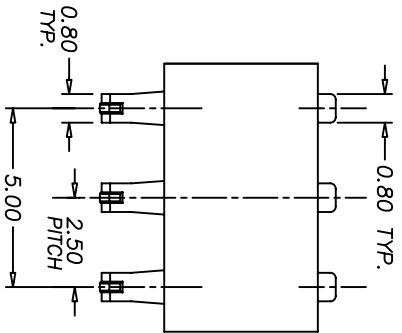


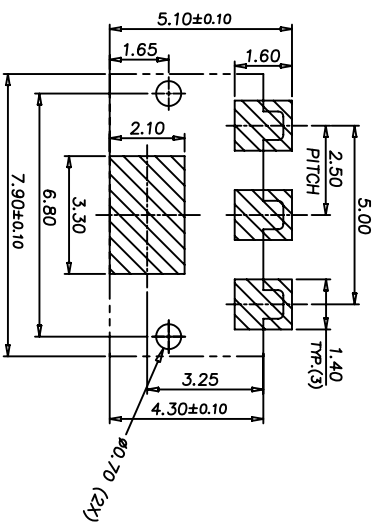
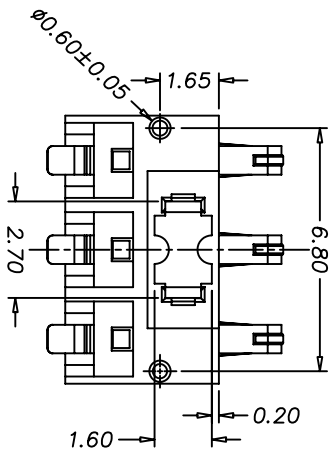
TABLE :

P/N	DIM. A	DIM. B
2BA3004-365111	6.5	4.5
2BA3004-360111	6.0	4.0

Recommended Compress Distance



- NOTES:
- CURRENT RATING : 2A MIN. CONTACT RESISTANCE: 30 MILLI.OHM MAX.
 - DIELECTRIC WITHSTANDING VOLTAGE : 250V AC MIN. FOR ONE MINUTE.
 - INSULATION RESISTANCE : 1000 MΩ MIN.
 - OPERATING TEMPERATURE : -55°C TO +85°C.
 - NORMAL FORCE : 80g MIN(WORKING POSITION)
 - DURABILITY: 5,000 CYCLES
 - SOLDER HEAT RESISTANCE: REFLOW SOLDERING 260°C 10 SECS.
 - PARTS TO BE PACKAGED IN TAPE AND REEL
 - TO CONFORM TO THE SINGATRON HSF SPECIFICATION.
 - GREEN PRODUCT IDENTIFICATION MARK ON BODY:
 - GREEN PRODUCT IDENTIFICATION LABEL ON PACKAGING:
 - PRINTED DATE CODE "YYMMDD" ON FRONT OF CONNECTOR.



RECOMMENDED PCB LAYOUT
TOP VIEW (XX±0.05)

△B

C	PAD	1	COPPER ALLOY 0.2T	Tin Plating
B	CONTACT	3	COPPER ALLOY 0.15T	Au Plating
A	BODY	1	THERMOPLASTIC, UL 94V-0	BLACK COLOR
NO	DESCRIPTION	QTY	MATERIAL	PLATING & COLOR
UNLESS OTHERWISE SPECIFIED TOLERANCES				
DECIMALS: ANGLES:				
X	:±0.5	X	:±2°	
X.X	:±0.3	X.X	:±1°	
X.XX	:±0.2			
TITLE 3 PIN BATTERY CONNECTOR (WITH POST)				
DWN DATE 2007.12.14 PART NO. 2BA3004-36X111				
CHKD DATE 2007.12.14 SCALE:N/A UNIT: mm				
APVD DATE 2007.12.14 SIZE: A3 SHEET: 1 OF 1 REV: B				

Singatron Enterprise Co., Ltd.
信益企業股份有限公司

CUSTOMER COPY(SZ)