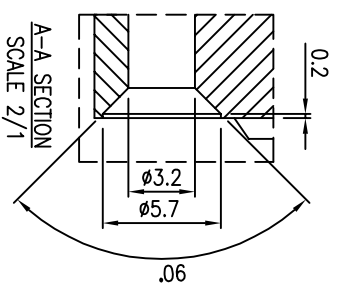
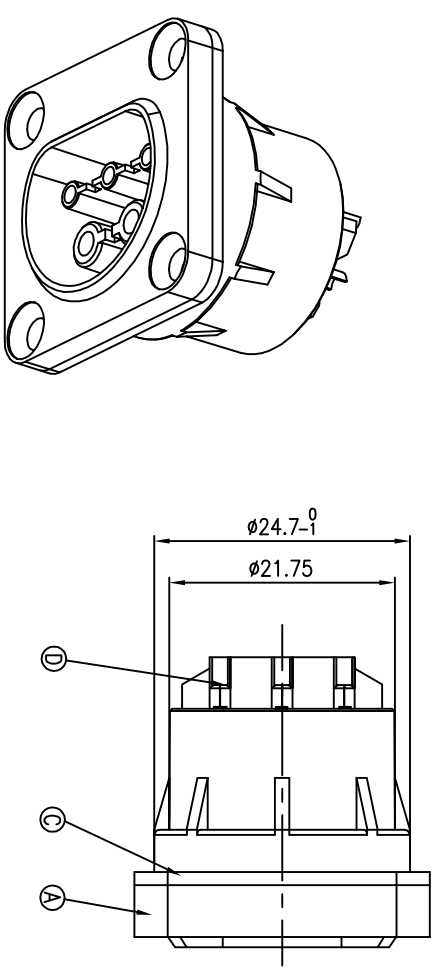
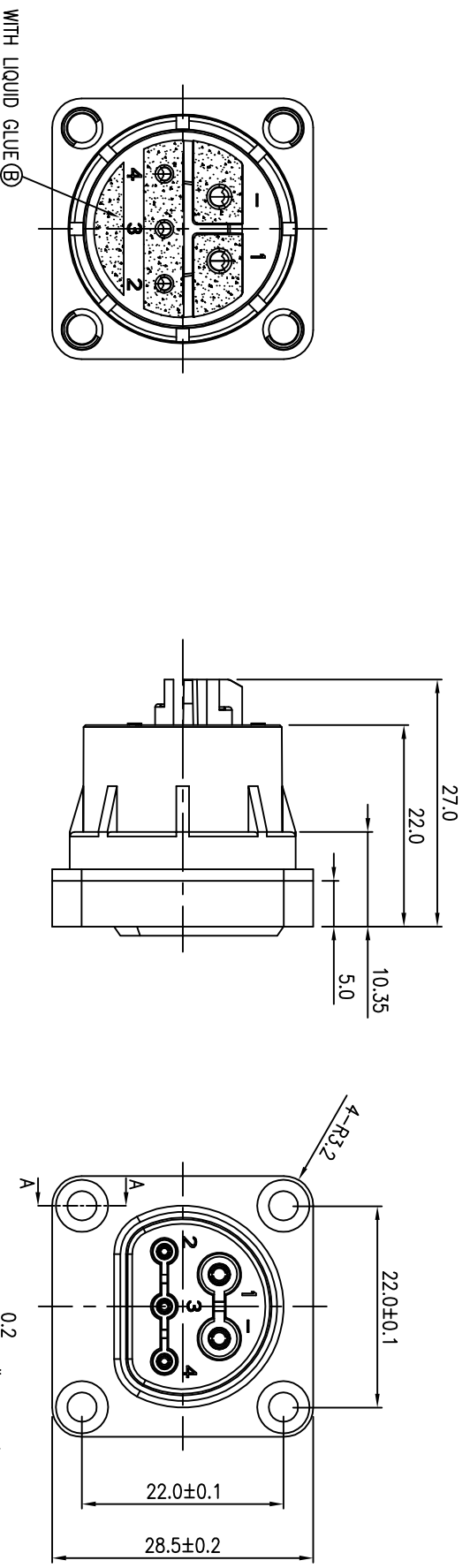


REV.	ECN NO OR DESCRIPTION	REVISED	DATE
A	PDR NO.:A171215-1B	JF	2018.01.15



- NOTES:
- TEST CONDITIONS:
 - 2-1. CONDUCTANCE RESISTANCE 20m Ohm Max.
 - 2-2. HI-POT TEST 500VAC,0.5mA(1SEC)
 - 2-3. INSULATION RESISTANCE: 100M Ohm Min, BY 500 VDC
 - SPECIFICATIONS:SEE "BA SERIES SPECIFICATIONS".
 - TO CONFORM TO SINGATRON HAZARDOUS SUBSTANCE FREE SPEC.
 - GREEN PRODUCT IDENTIFICATION LABEL ON PACKAGING:

D	FEMALE PIN	5	Phosphor Bronze	1~3GOLD PLATING OVER NICKEL PLATING
C	GASKET	1	SILICONE SHORE A 70'	BLACK
B	LIQUID GLUE	1	N/A	BLACK
A	MALE BODY	1	PA66+GF(A63V0GV25)	BLACK
NO	DESCRIPTION	QTY	MATERIAL	PLATING & COLOR
UNLESS OTHERWISE SPECIFIED TOLERANCES				
Singatron Enterprise Co., Ltd. 信晉企業股份有限公司				
DECIMALS:		ANGLES:		
X	:±0.30	X	:±1°	
XX	:±0.20	XX	:±0.5°	
XXX	:±0.10			
XXXX	:±0.05			
TITLE		BATTERY CONNECTOR		
DWN		JF		
CHKD		Jun		
APVD		Steve		
PART NO.		2BA3014-Y05801H		
SCALE		2:1		
UNIT:		mm		
SIZE:		A3		
SHEET:		1 OF 1		
REV:		A		

CUSTOMER COPY