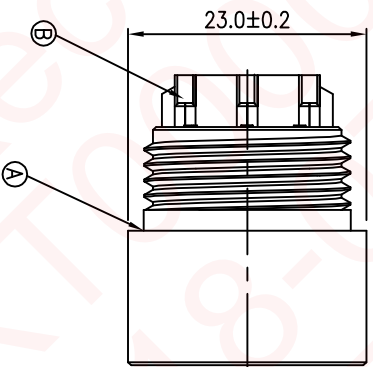
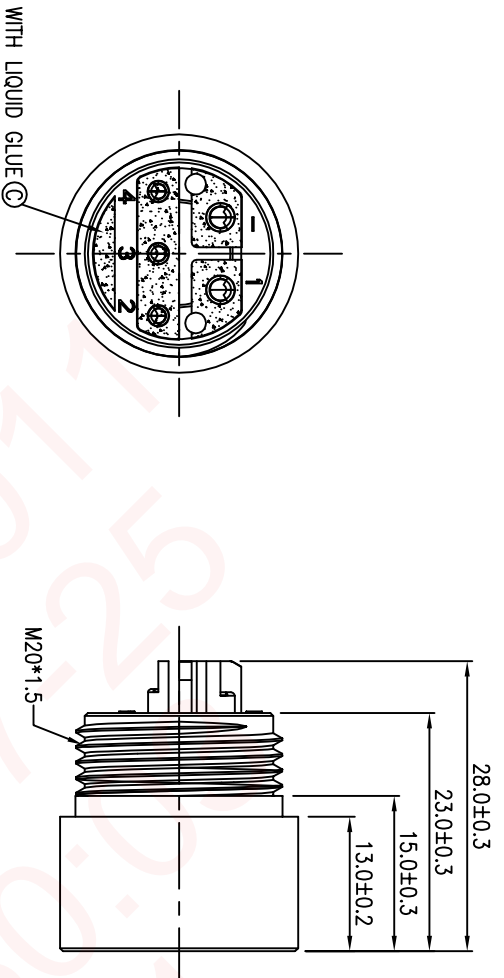


REV.	ECN NO OR DESCRIPTION	REVISED	DATE
A	PDR NO.:A180226-3A	JF	2018.05.25

工程師
品質部
(SZ)
審核
2018/07/04
14:50:00



- NOTES:
- TEST CONDITIONS:
 - 2-1. CONDUCTANCE RESISTANCE 20m Ohm Max.
 - 2-2. HI-POT TEST 500VAC,0.5mA(1SEC)
 - 2-3. INSULATION RESISTANCE: 100M Ohm Min., BY 500 VDC
 - SPECIFICATIONS:SEE "BA SERIES SPECIFICATIONS".
 - TO CONFORM TO SINGATRON HAZARDOUS SUBSTANCE FREE SPEC.
 - GREEN PRODUCT IDENTIFICATION LABEL ON PACKAGING:
 - ⊗ REPRESENT CRITICAL DIMENSIONS.

C	LIQUID GLUE	1	N/A	BLACK
B	FEMALE PIN	5	Phosphor Bronze CS210-EH	1~3μ" GOLD PLATING OVER NICKEL PLATING
A	FEMALE BODY	1	PA66+GF(A63V0GV25)	BLACK PLATING & COLOR
UNLESS OTHERWISE SPECIFIED TOLERANCES				
Singatron Enterprise Co., Ltd. 信登企業股份有限公司				
DECIMALS:		ANGLES:		
X	:±0.5	X	:±2°	
X.X	:±0.3	X.X	:±1'	
X.XX	:±0.2			
TITLE		BATTERY CONNECTOR (2+3)PIN(10+5A)		
DWN	JF	PART NO.2BA3014-Y05802H		
CHKD	JUN	SCALE 2:1 UNIT: mm		
APVD	STEVE	SIZE: A3	SHEET:1 OF 1 REV: A	

CUSTOMER COPY